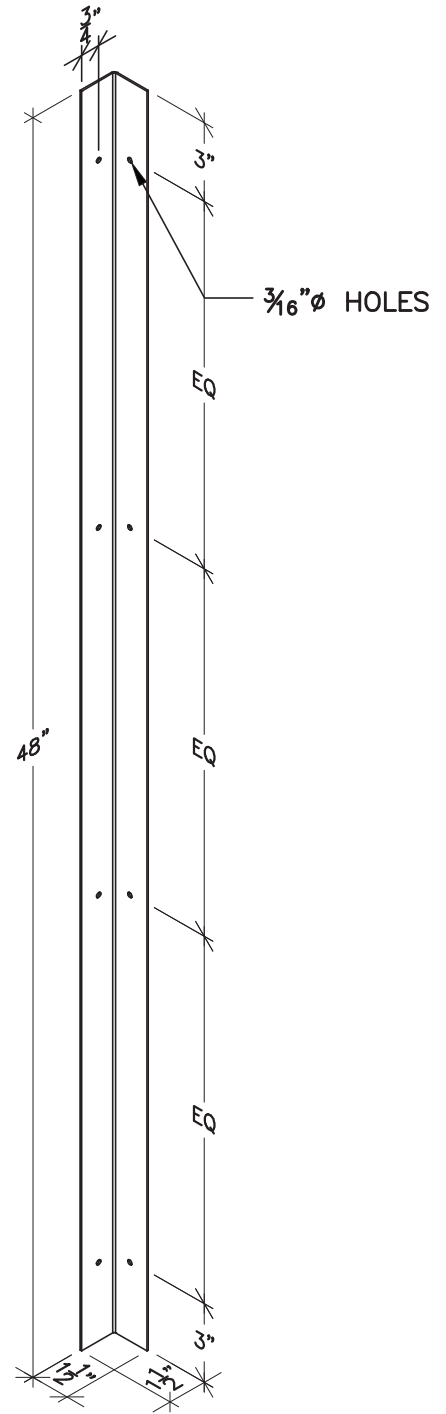
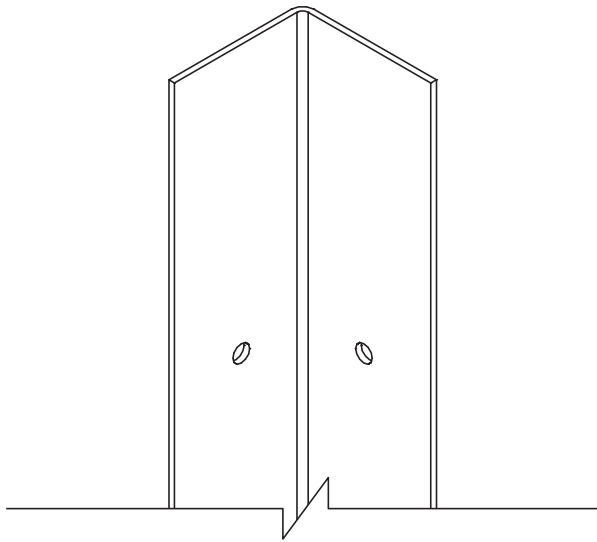


1 CORNER GUARD PLAN
1.0 1'=1'-0"



E1 CORNER GUARD ISOMETRIC
1.0 N.T.S



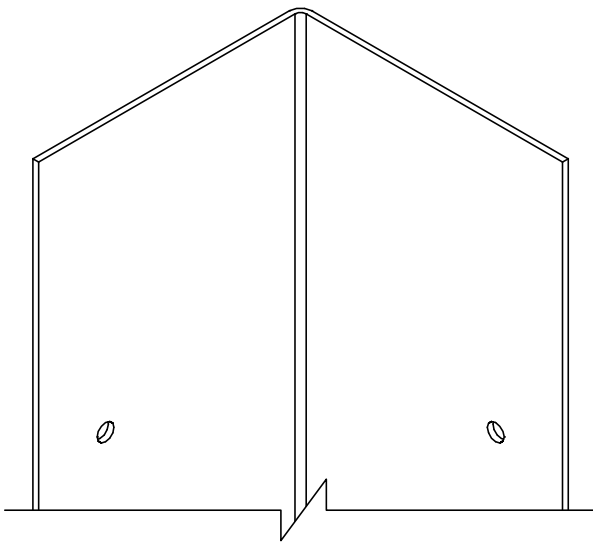
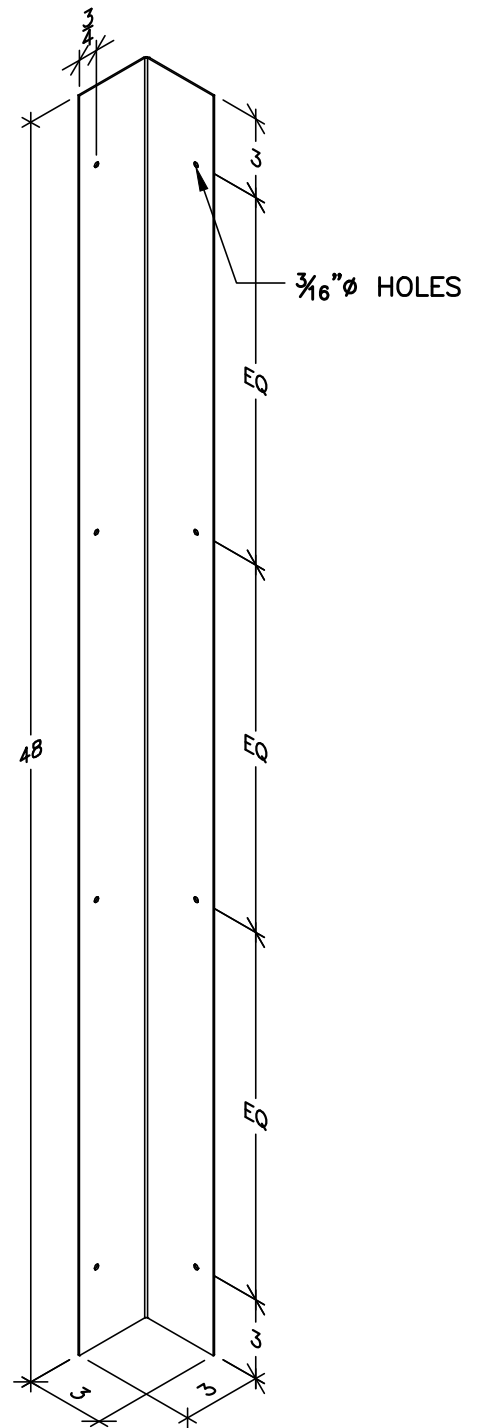
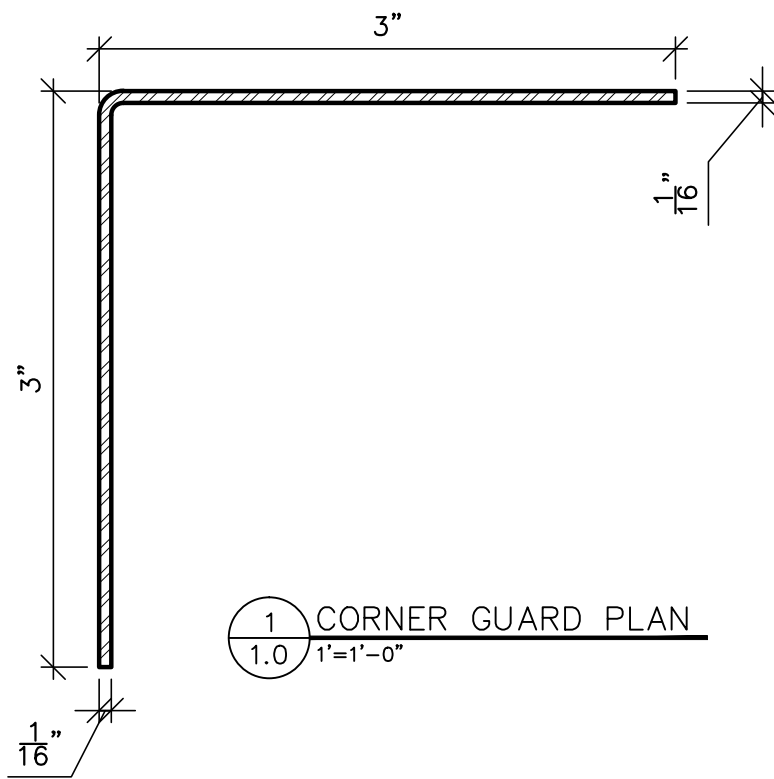
**Koffler Sales
Company**

Specialists in Floor and Wall Protection
For Over 50 Years

www.KofflerSales.com

CORNER GUARD (1/2" x 1/2" x 48") **STAINLESS STEEL**

16 ga. #4 Brushed Type 304



E1
1.0
CORNER GUARD ISOMETRIC
N.T.S



**Koffler Sales
Company**

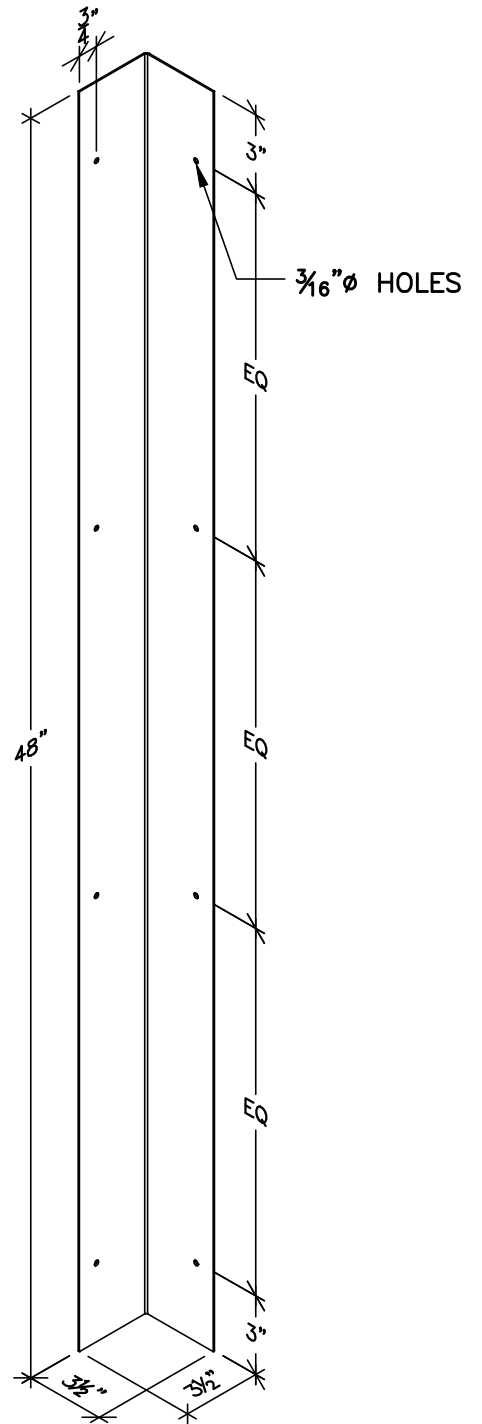
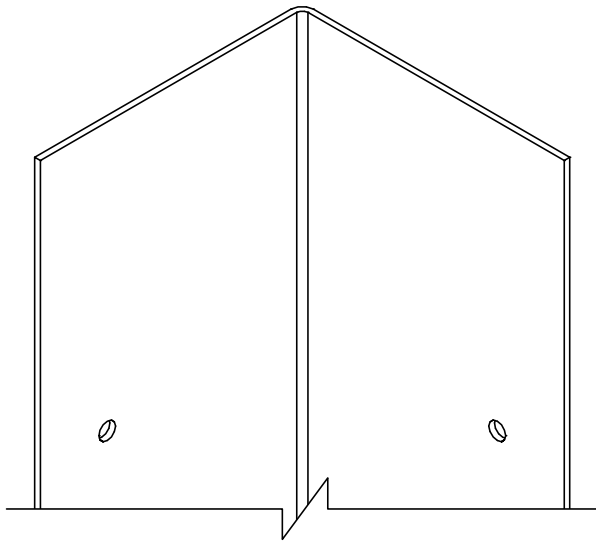
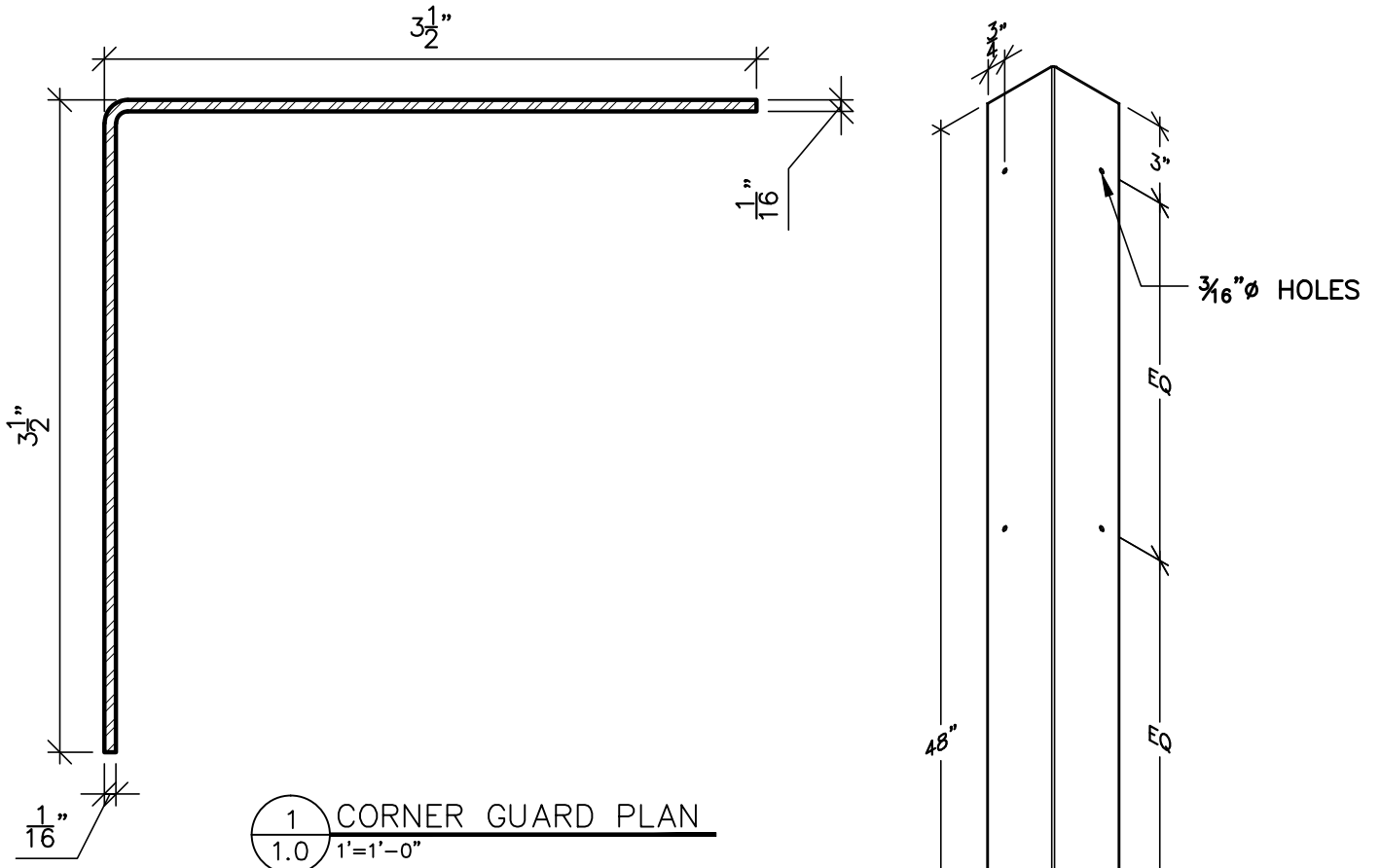
Specialists in Floor and Wall Protection
For Over 50 Years

www.KofflerSales.com

CORNER GUARD (3" x 3" x 48")

STAINLESS STEEL

16 ga. #4 Brushed Type 304



E1
1.0

CORNER GUARD ISOMETRIC
N.T.S.



Koffler Sales Company

Specialists in Floor and Wall Protection
For Over 50 Years

www.KofflerSales.com

CORNER GUARD (3/16" x 3/16" x 48") STAINLESS STEEL

16 ga. #4 Brushed Type 304