



Koffler Sales Company

Specialists in Floor and Wall Protection
For Over 50 Years!

Standard Dock Bumpers

Model: B610-12



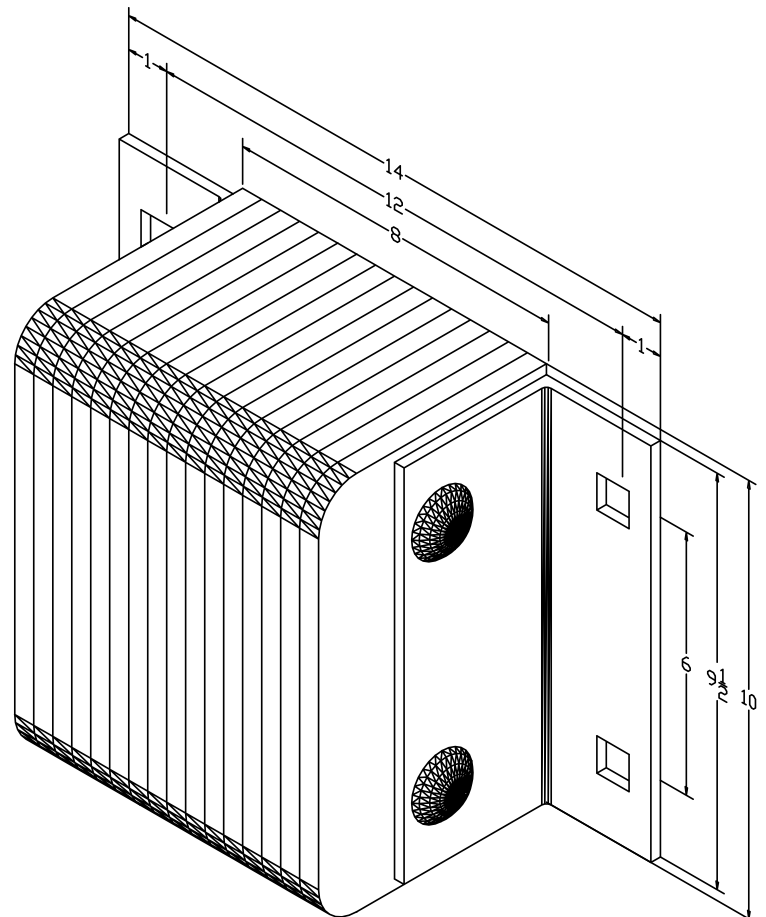
Model: B610-12

Length:

Projection 6"
Height 10"

Length:

-Overall 14"
-Anchor Holes 12"
-Rubber 8"
Angle Size (2) 1/4"x3"x4"x9-1/2"



Bolt Heads Are Inscribed
"DURABLE CORP"

All Measurements are +/- 1/8"



Koffler Sales Company

Specialists in Floor and Wall Protection
For Over 50 Years!

Standard Dock Bumpers

Model: B610-12P1



Model: B610-12P1

Length:

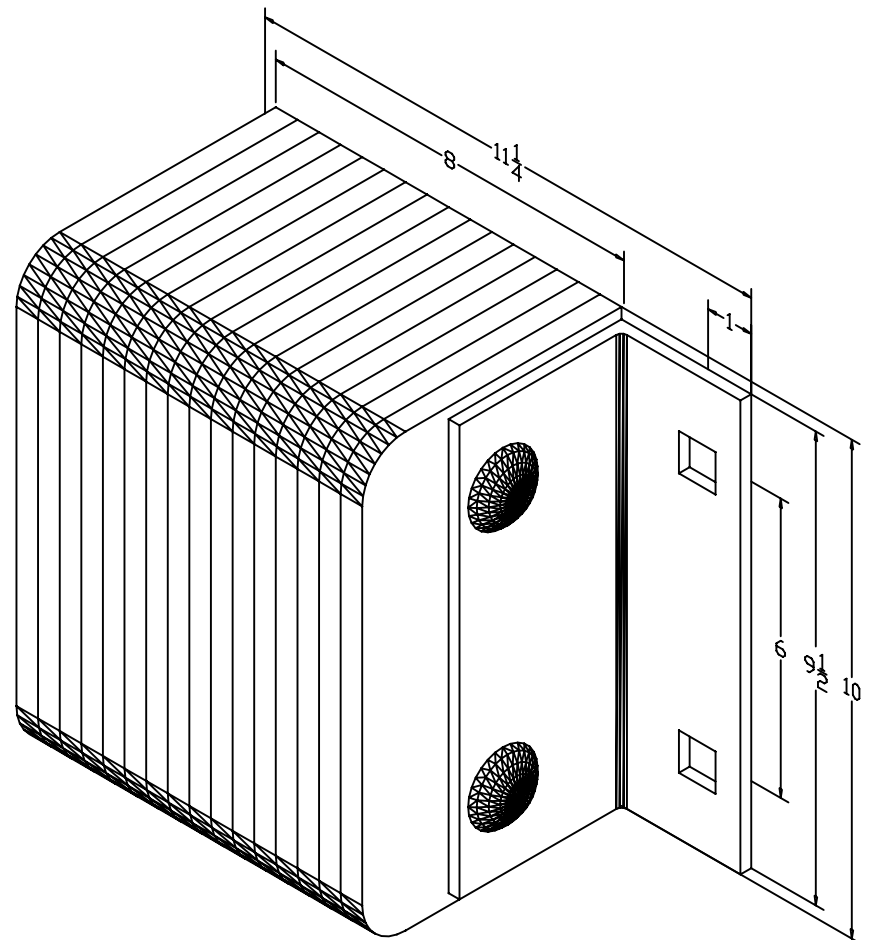
Projection 6"
Height 10"

Length:

-Overall 11-1/4"
-Rubber 8"
Angle Size 1/4"x3"x4"x9-1/2"
Plate Size 1/4"x4"x9-1/2"

Bolt Heads Are Inscribed
"DURABLE CORP"

All Measurements are +/- 1/8"





Koffler Sales Company

Specialists in Floor and Wall Protection
For Over 50 Years!

Standard Dock Bumpers

Model: B610-14



Model: B610-14

Length:

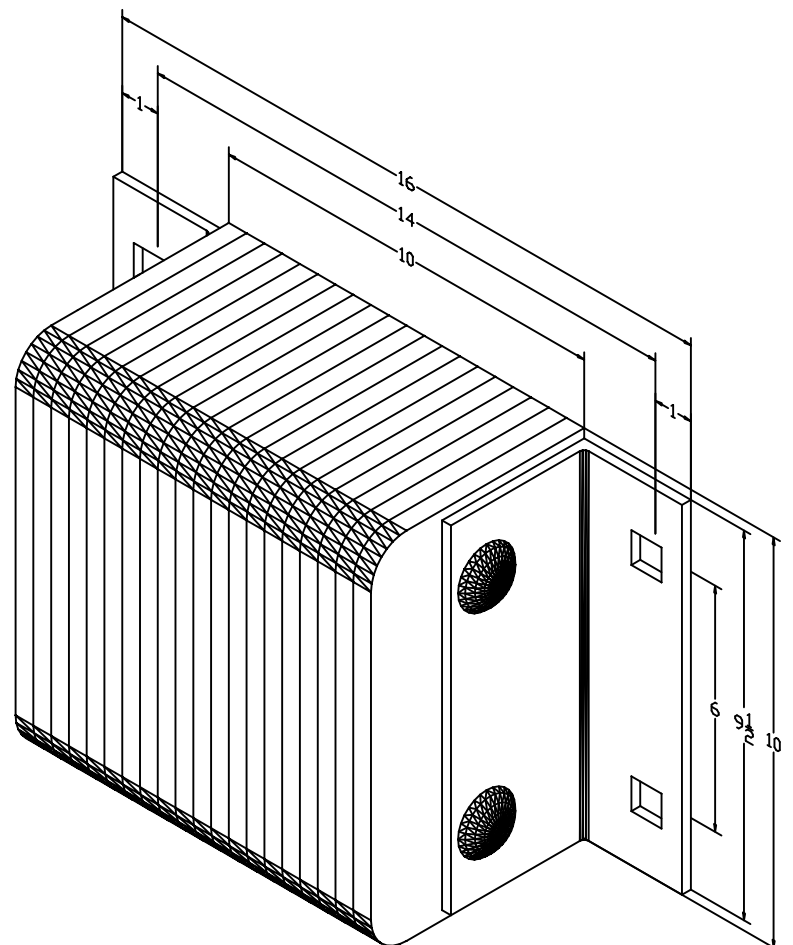
Projection 6"
Height 10"

Length:

-Overall 16"
-Anchor Holes 14"
-Rubber 10"
Angle Size 1/4"x3"x4"x9-1/2"
Plate Size 1/4"x4"x9-1/2"

Bolt Heads Are Inscribed
"DURABLE CORP"

All Measurements are +/- 1/8"





Koffler Sales Company

Specialists in Floor and Wall Protection
For Over 50 Years!

Standard Dock Bumpers

Model: B610-14P1



Model: B610-14P1

Length:

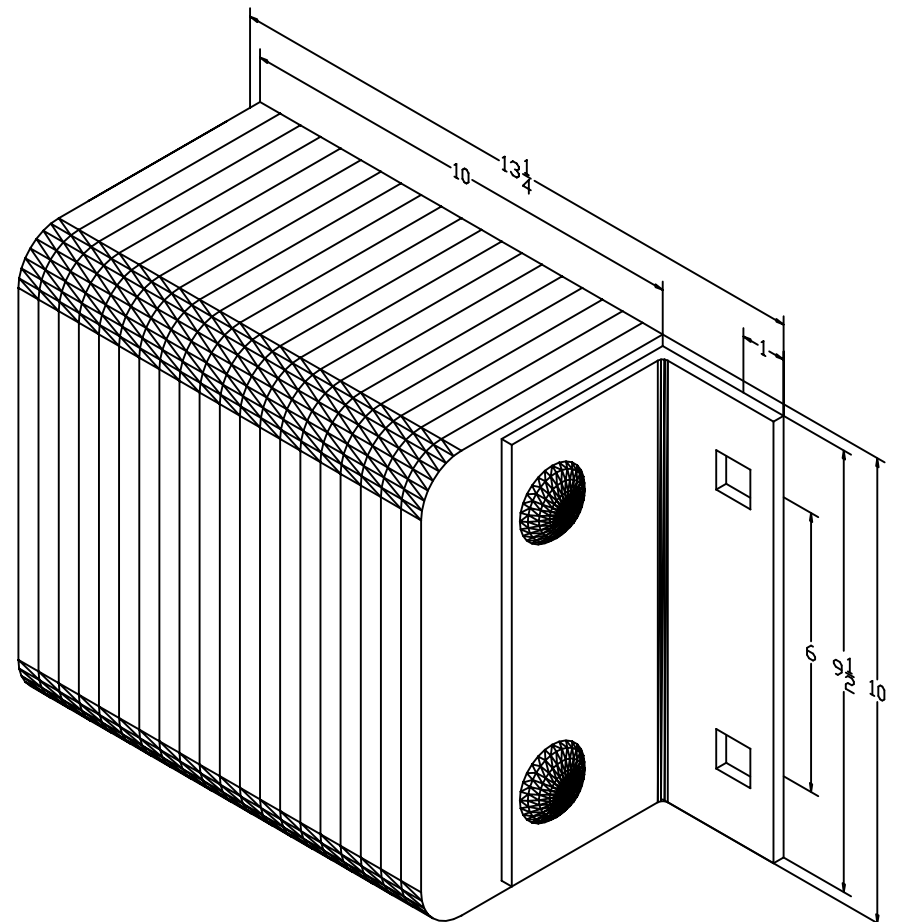
Projection 6"
Height 10"

Length:

-Overall 13-1/4"
-Rubber 10"
Angle Size 1/4"x3"x4"x9-1/2"
Plate Size 1/4x4"x9-1/2"

Bolt Heads Are Inscribed
"DURABLE CORP"

All Measurements are +/- 1/8"





Koffler Sales Company

Specialists in Floor and Wall Protection
For Over 50 Years!

Standard Dock Bumpers

Model: B610-18



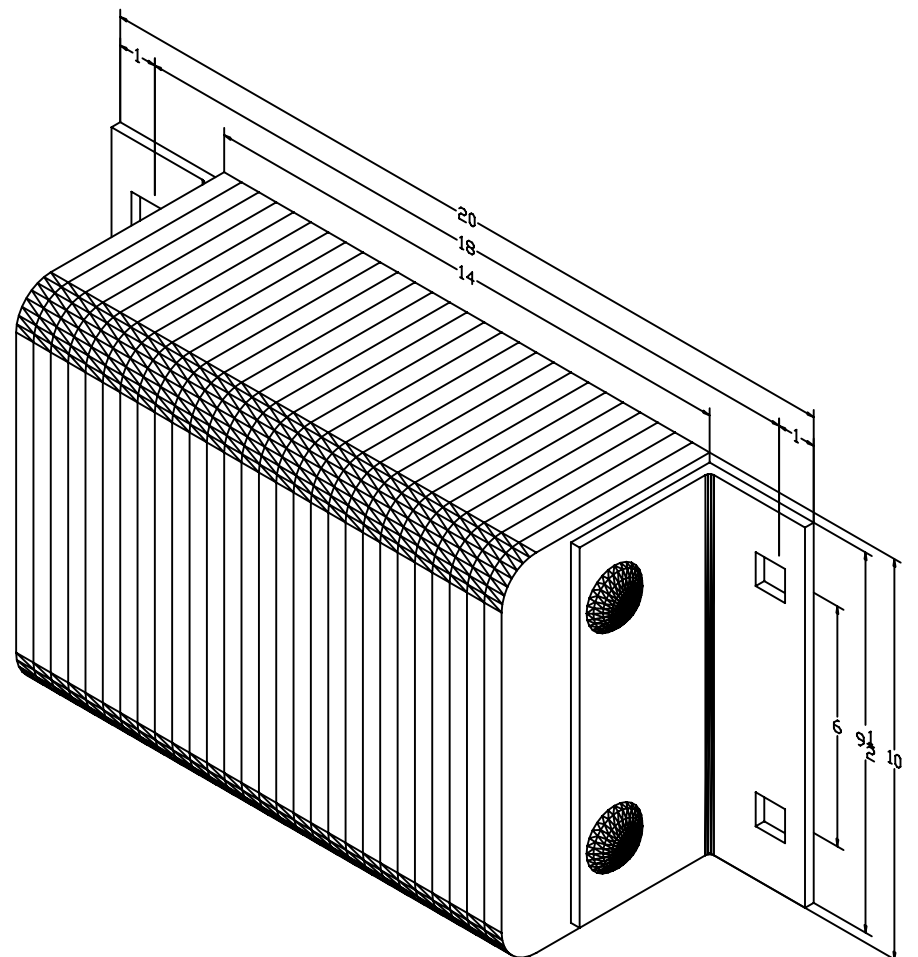
Model: B610-18

Length:

Projection 6"
Height 10"

Length:

-Overall 20"
-Anchor Holes 18"
-Rubber 14"
Angle Size (2) 1/4"x3"x4"x9-1/2"



Bolt Heads Are Inscribed
"DURABLE CORP"

All Measurements are +/- 1/8"



Koffler Sales Company

Specialists in Floor and Wall Protection
For Over 50 Years!

Standard Dock Bumpers

Model: B610-18P1



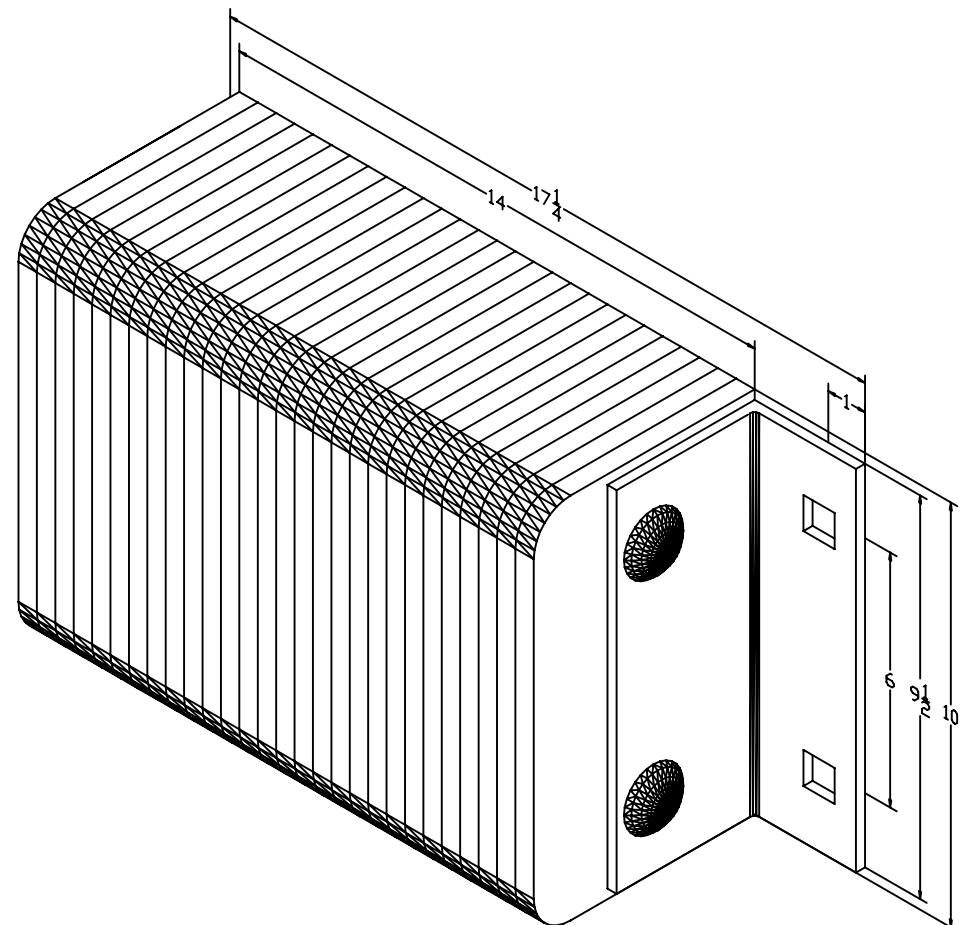
Model: B610-18P1

Length:

Projection 6"
Height 10"

Length:

-Overall 17"±1/4"
-Rubber 14"
Angle Size 1/4"x3"x4"x9-1/2"
Plate Size 1/4"x4"x9-1/2"



Bolt Heads Are Inscribed
"DURABLE CORP"

All Measurements are +/- 1/8"

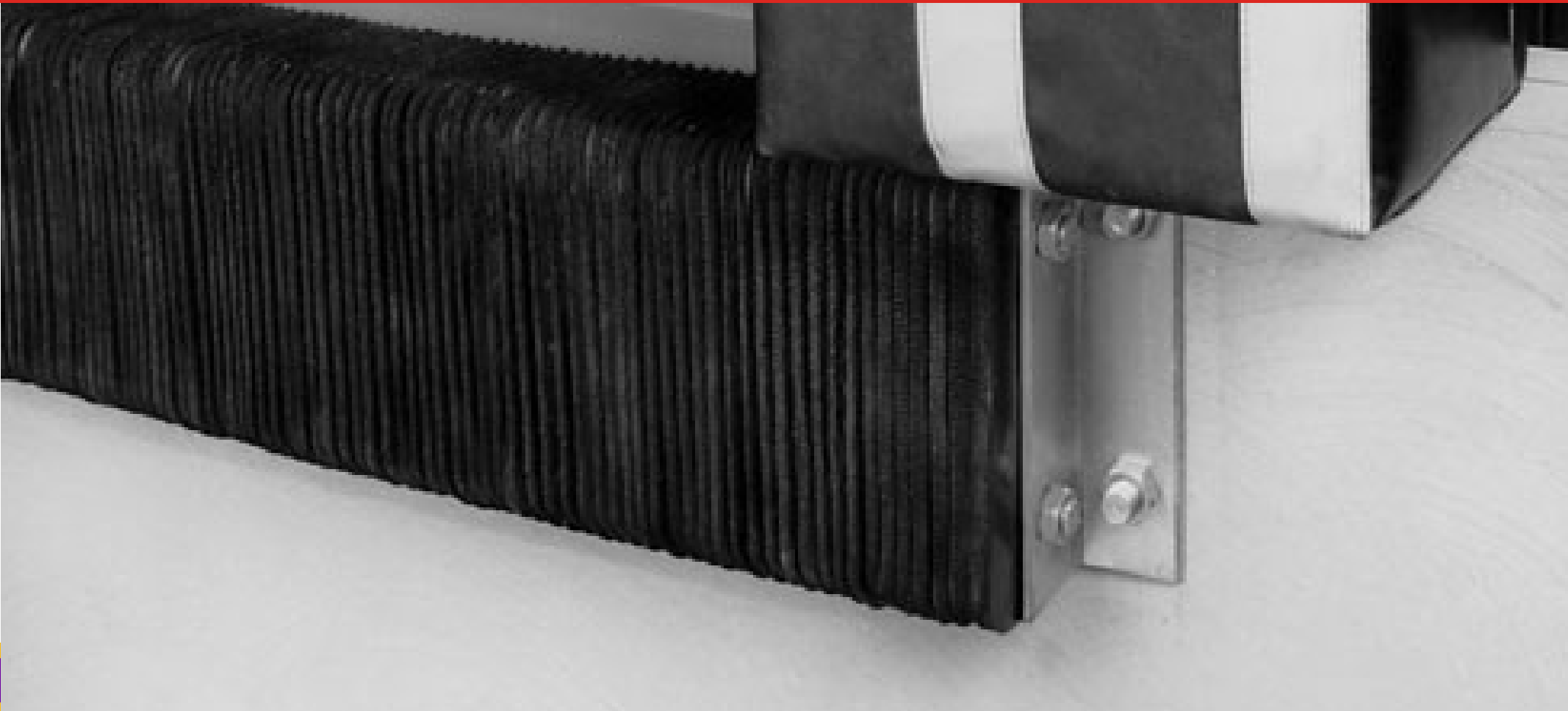


Koffler Sales Company

Specialists in Floor and Wall Protection
For Over 50 Years!

Standard Dock Bumpers

Model: B610-24



Model: B610-24

Length:

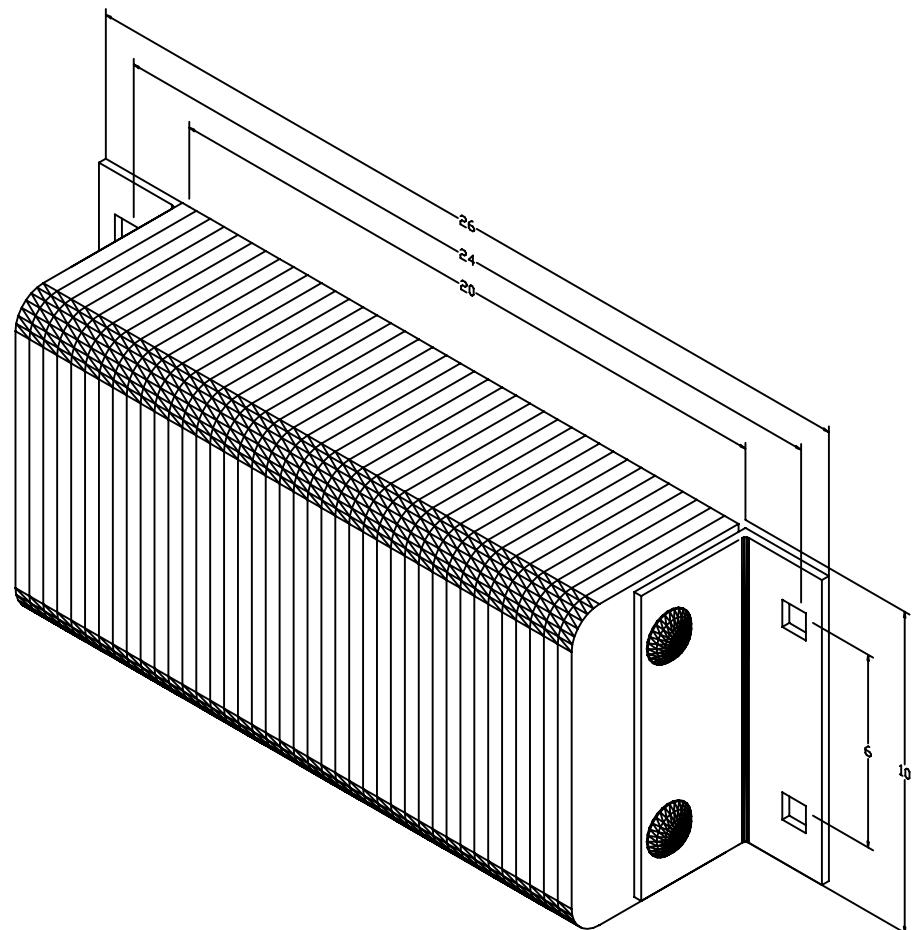
Projection 6"
Height 10"

Length:

-Overall 26"
-Anchore Holes 24"
-Rubber 20"
Angle Size (2) 1/4"x3"x4"x9-1/2"

Bolt Heads Are Inscribed
"DURABLE CORP"

All Measeurements are +/- 1/8"





Koffler Sales Company

Specialists in Floor and Wall Protection
For Over 50 Years!

Standard Dock Bumpers

Model: B610-24P1



Model: B610-24P1

Length:

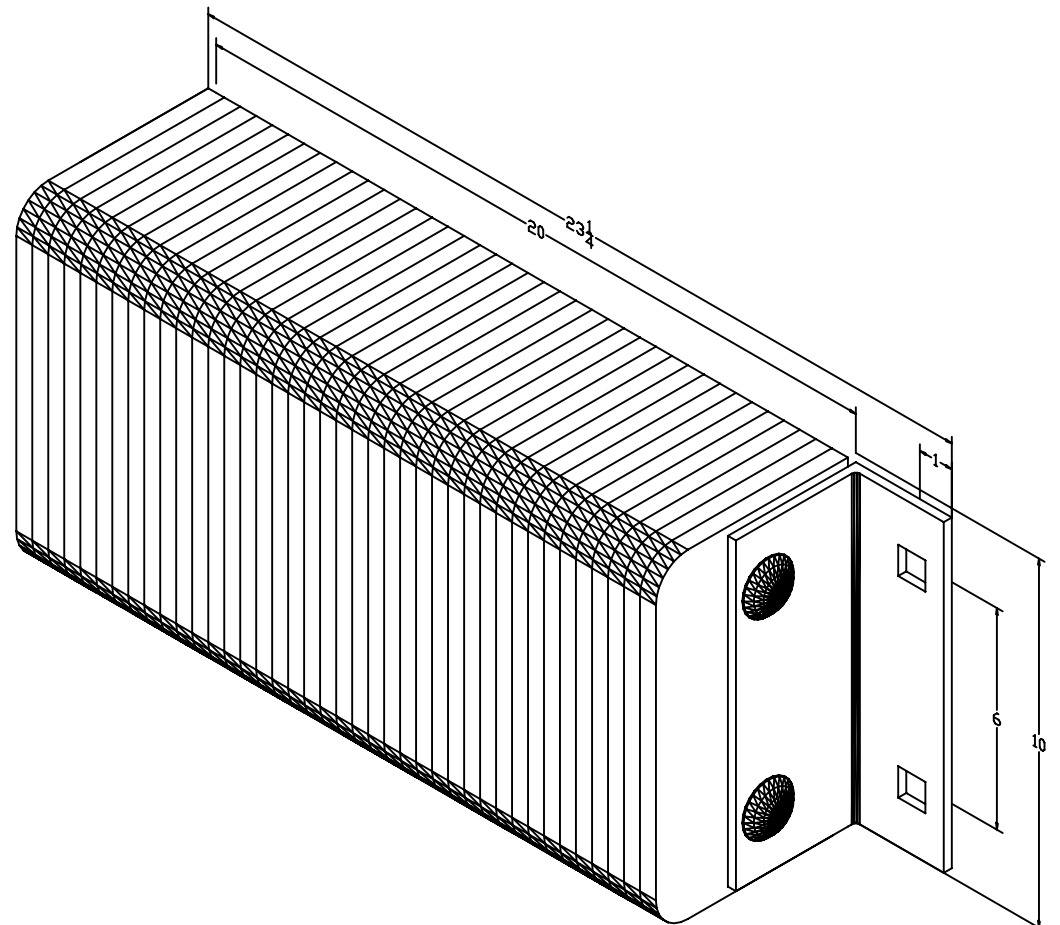
Projection 6"
Height 10"

Length:

-Overall 23-1/4"
-Rubber 20"
Angle Size 1/4"x3"x4"x9-1/2"
Plate Size 1/4"x4"x9-1/2"

Bolt Heads Are Inscribed
"DURABLE CORP"

All Measurements are +/- 1/8"





Koffler Sales Company

Specialists in Floor and Wall Protection
For Over 50 Years!

Standard Dock Bumpers

Model: B610-36



Model: B610-36

Length:

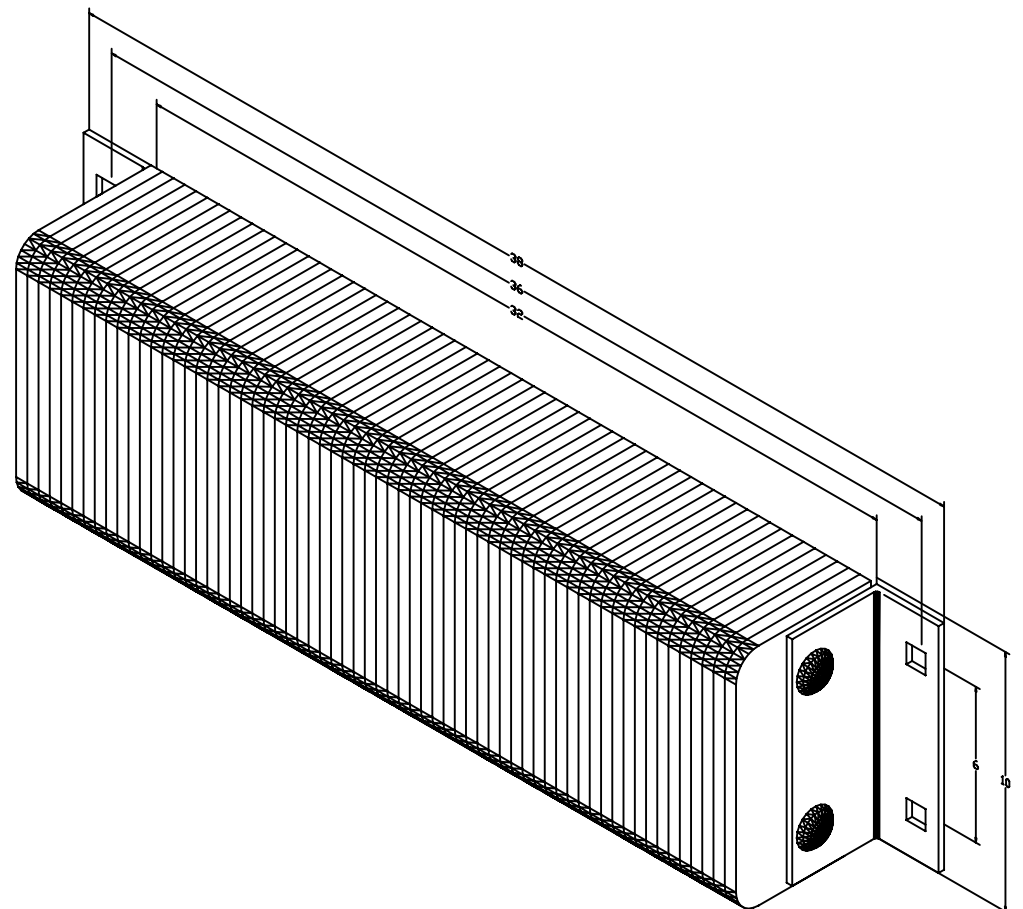
Projection	6"
Height	10"

Length:

-Overall	38"
-Rubber	36"
-Rubber	32"
Angle Size (2)	1/4"x3"x4"x9-1/2"

Bolt Heads Are Inscribed
"DURABLE CORP"

All Measurements are +/- 1/8"





Koffler Sales Company

Specialists in Floor and Wall Protection
For Over 50 Years!

Standard Dock Bumpers

Model: B610-36-P1



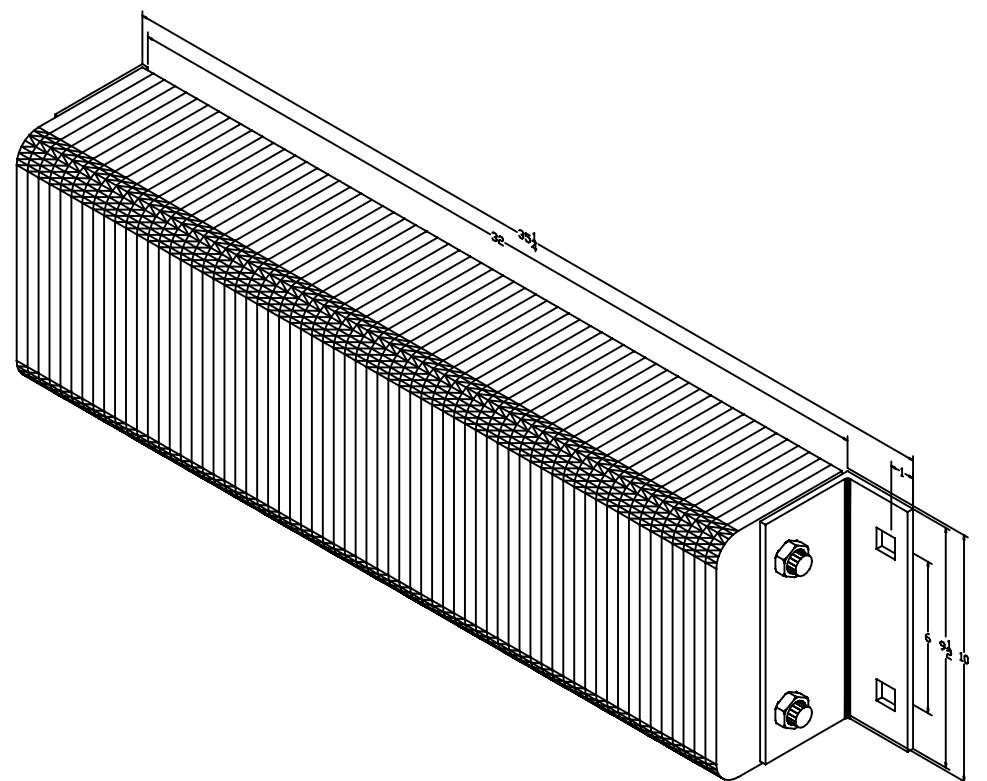
Model: B610-36-P1

Length:

Projection	6"
Height	12"

Length:

-Overall	35-1/4"
-Anchor Holes	32"
Angle Size (1)	1/4"x3"x4"x9-1/2"
Plate Size (1)	1/4"x4"x9-1/2"



Bolt Heads Are Inscribed
"DURABLE CORP"

All Measurements are +/- 1/8"



Koffler Sales Company

Specialists in Floor and Wall Protection
For Over 50 Years!

Standard Dock Bumpers

Model: B612-12



Model: B612-12

Length:

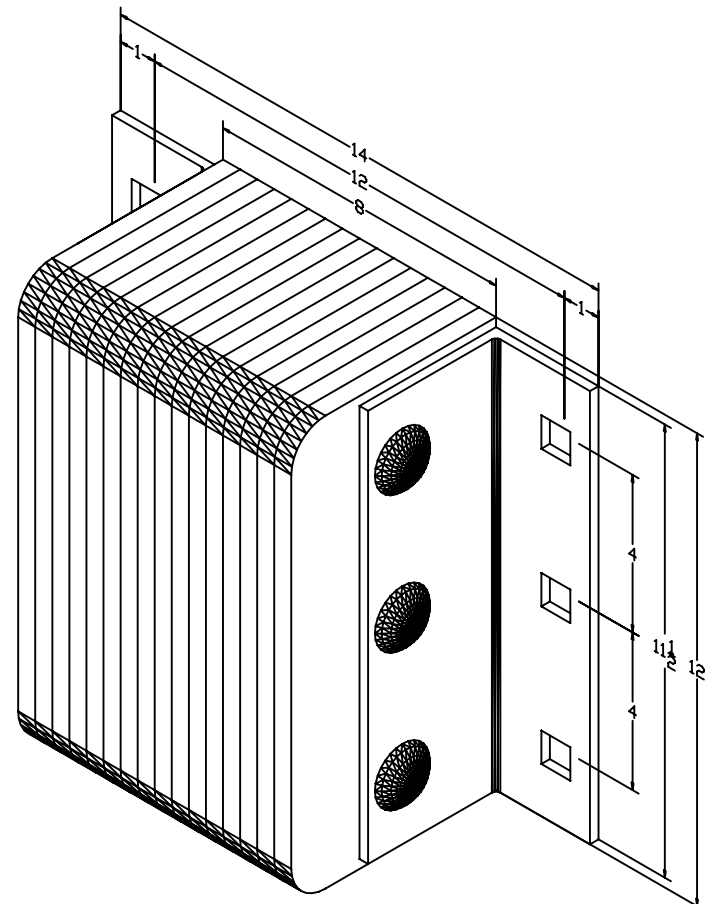
Projection 6"
Height 12"

Length:

-Overall 14"
-Anchor Holes 12"
-Rubber 8"
Angle Size (1) 1/4"x4"x9-1/2"

Bolt Heads Are Inscribed
"DURABLE CORP"

All Measurements are +/- 1/8"



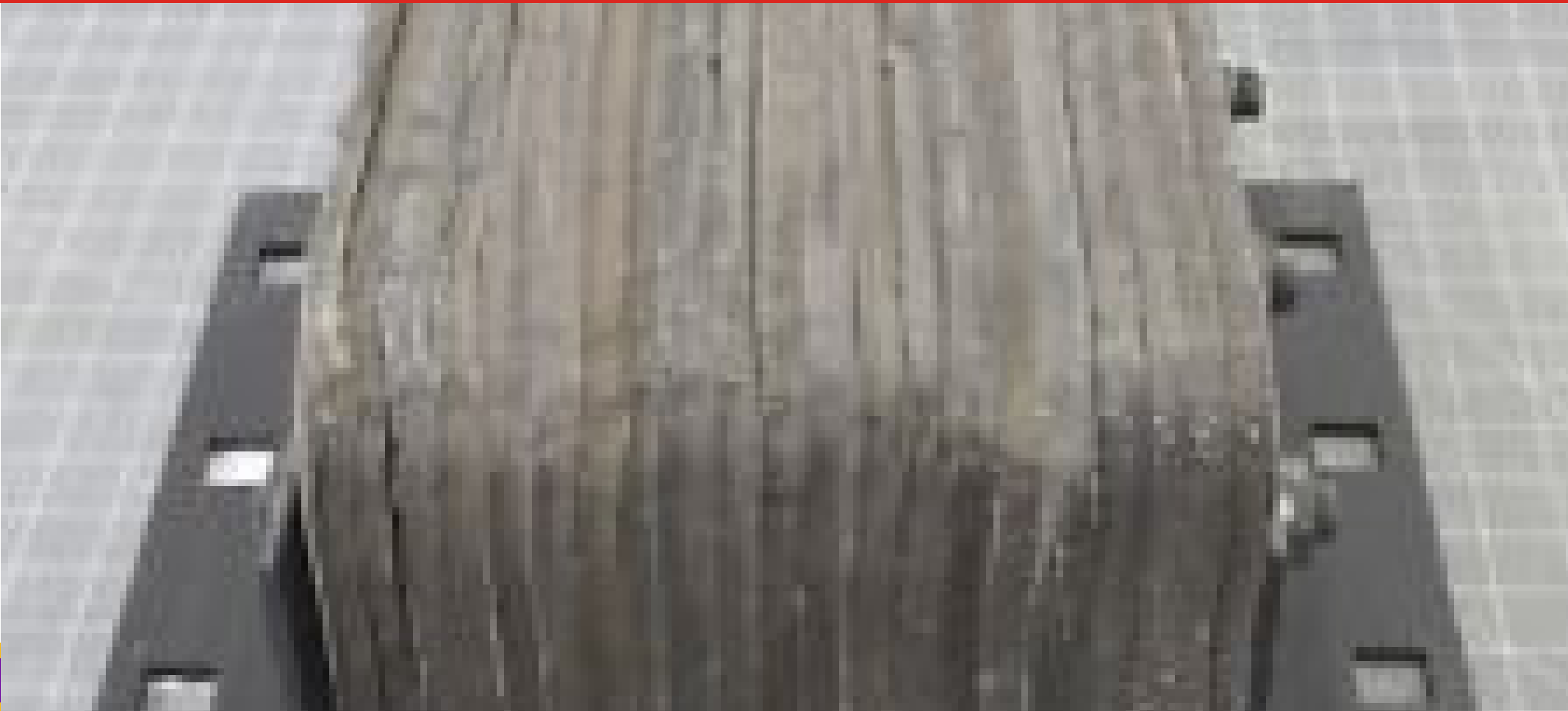


Koffler Sales Company

Specialists in Floor and Wall Protection
For Over 50 Years!

Standard Dock Bumpers

Model: B612-12P1



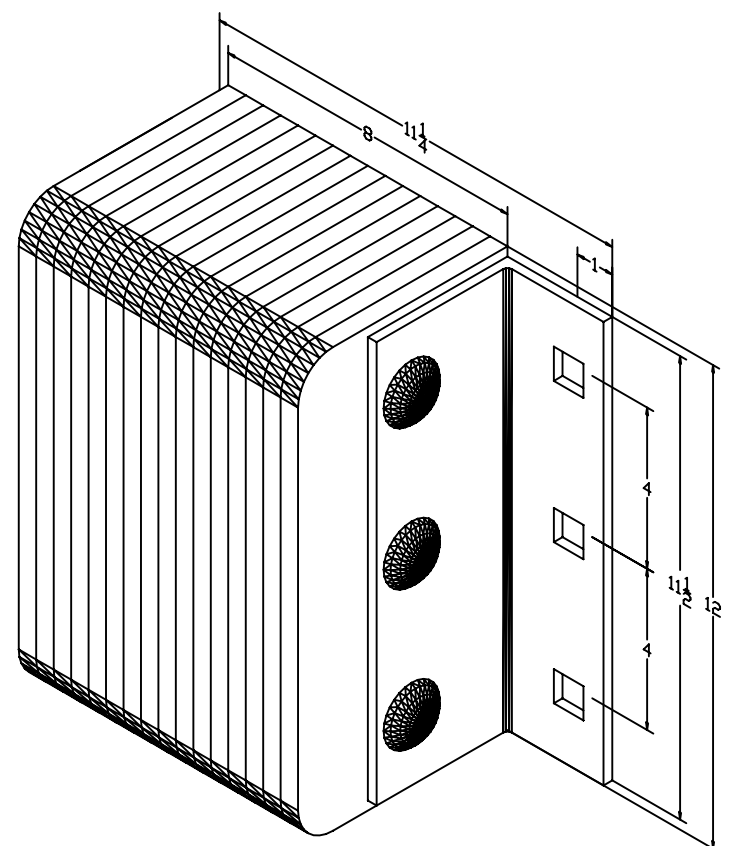
Model: B612-12P1

Length:

Projection 6"
Height 12"

Length:

-Overall 11-1/4"
-Rubber 8"
Angle Size 1/4"x3"x4"9-1/2"
Plate Size 1/4"x3"x9-1/2"



Bolt Heads Are Inscribed
"DURABLE CORP"

All Measurements are +/- 1/8"



Koffler Sales Company

Specialists in Floor and Wall Protection
For Over 50 Years!

Standard Dock Bumpers

Model: B612-14



Model: B612-14

Length:

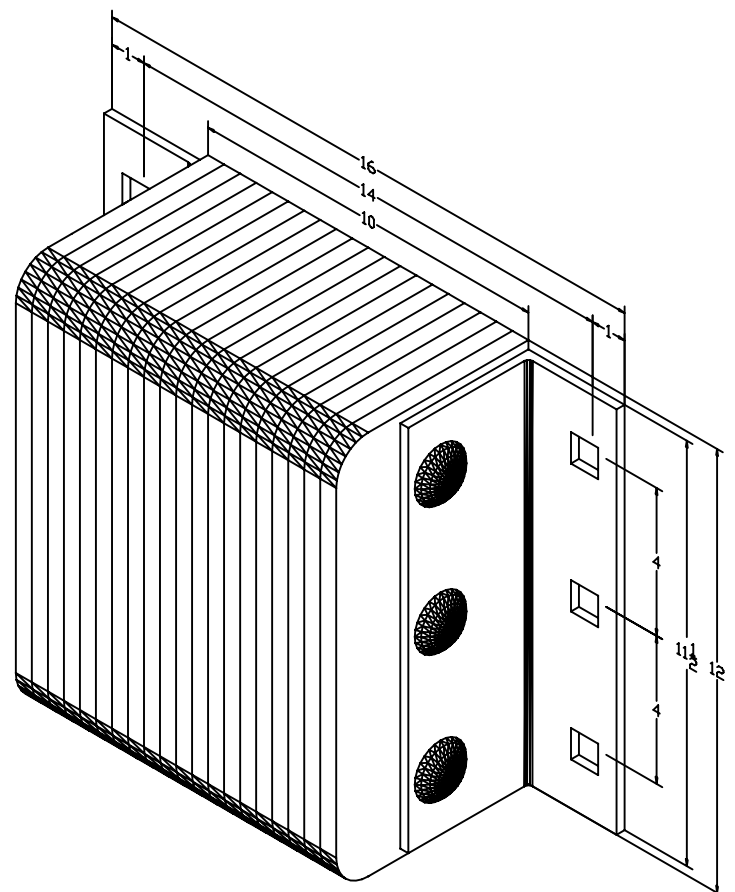
Projection	6"
Height	12"

Length:

-Overall	16"
-Anchor Holes	14"
-Rubber	10"
Plate Size	1/4"x3"x4"x9-1/2"

Bolt Heads Are Inscribed
"DURABLE CORP"

All Measurements are +/- 1/8"



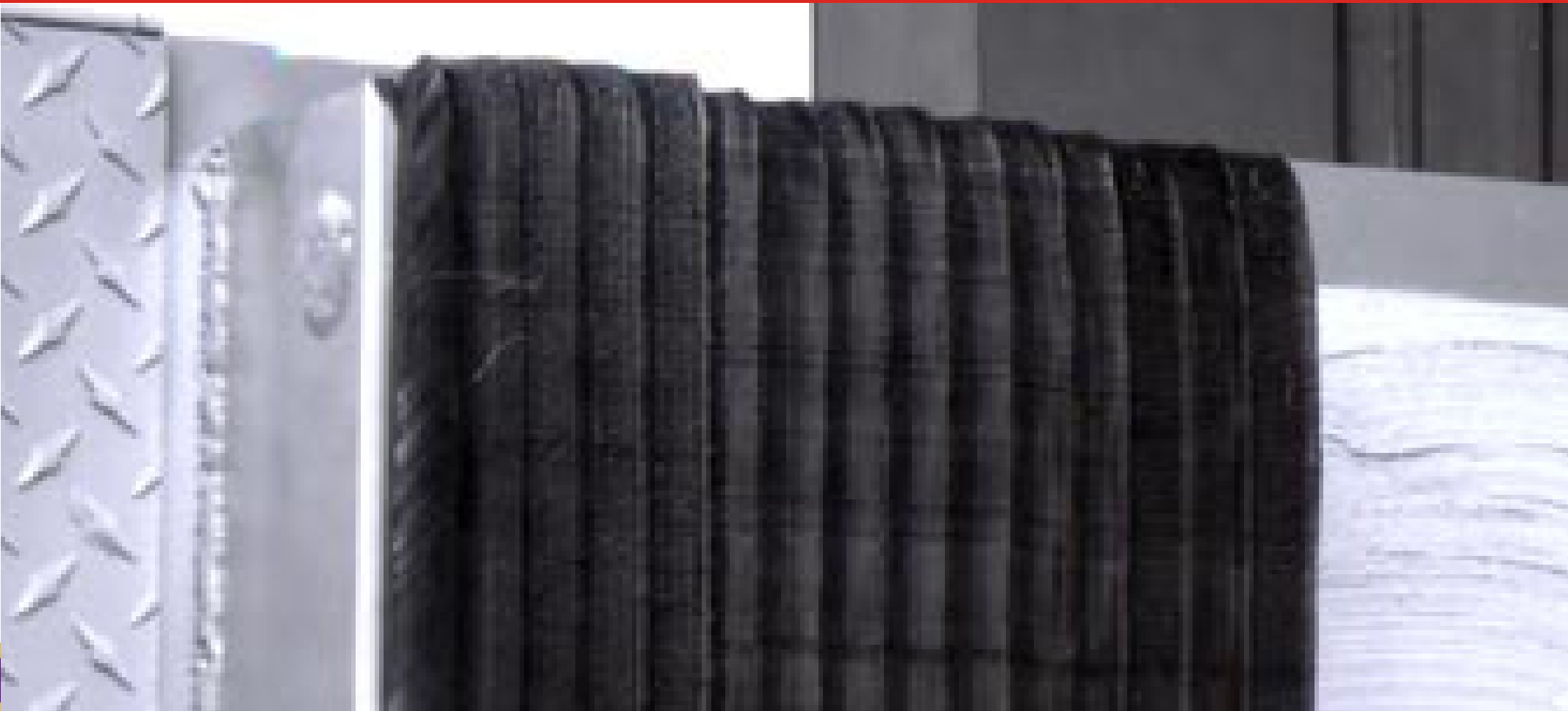


Koffler Sales Company

Specialists in Floor and Wall Protection
For Over 50 Years!

Standard Dock Bumpers

Model: B612-14P1



Model: B612-14P1

Length:

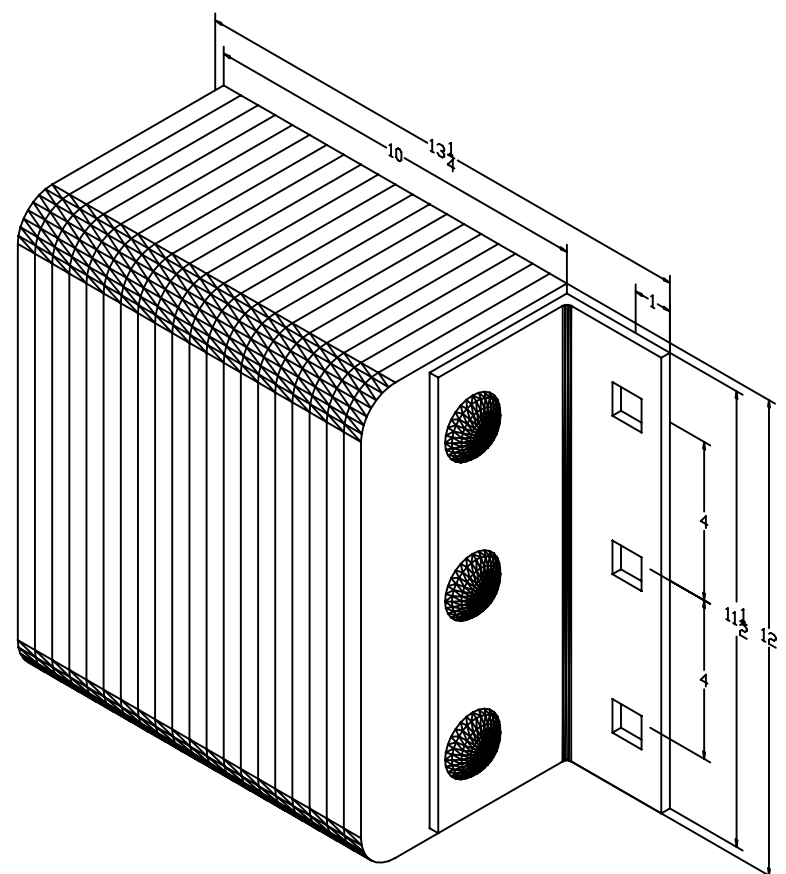
Projection 6"
Height 12"

Length:

-Overall 13-1/4"
-Rubber 10"
Angle Size 1/4"x3"x4"x9-1/2"
Plate Size 1/4"x3"x4"x9-1/2"

Bolt Heads Are Inscribed
"DURABLE CORP"

All Measurements are +/- 1/8"





Koffler Sales Company

Specialists in Floor and Wall Protection
For Over 50 Years!

Standard Dock Bumpers

Model: B612-18



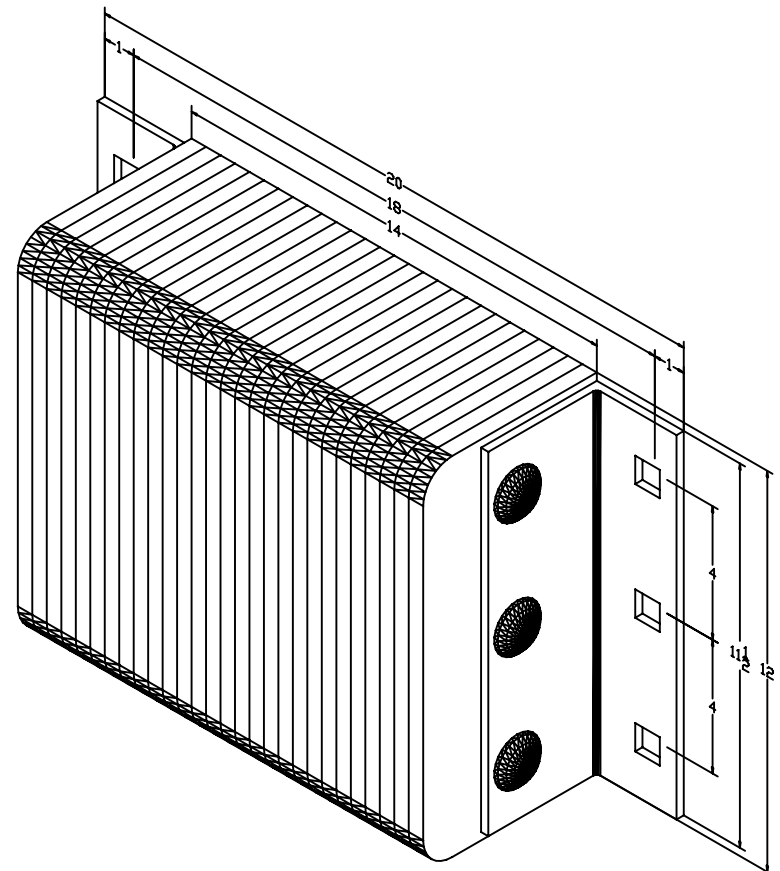
Model: B612-18

Length:

Projection 6"
Height 12"

Length:

-Overall 20"
-Anchor Holes 18"
-Rubber 14"
Angle Size (2) 1/4"x3"x4"x9-1/2"



Bolt Heads Are Inscribed
"DURABLE CORP"

All Measurements are +/- 1/8"

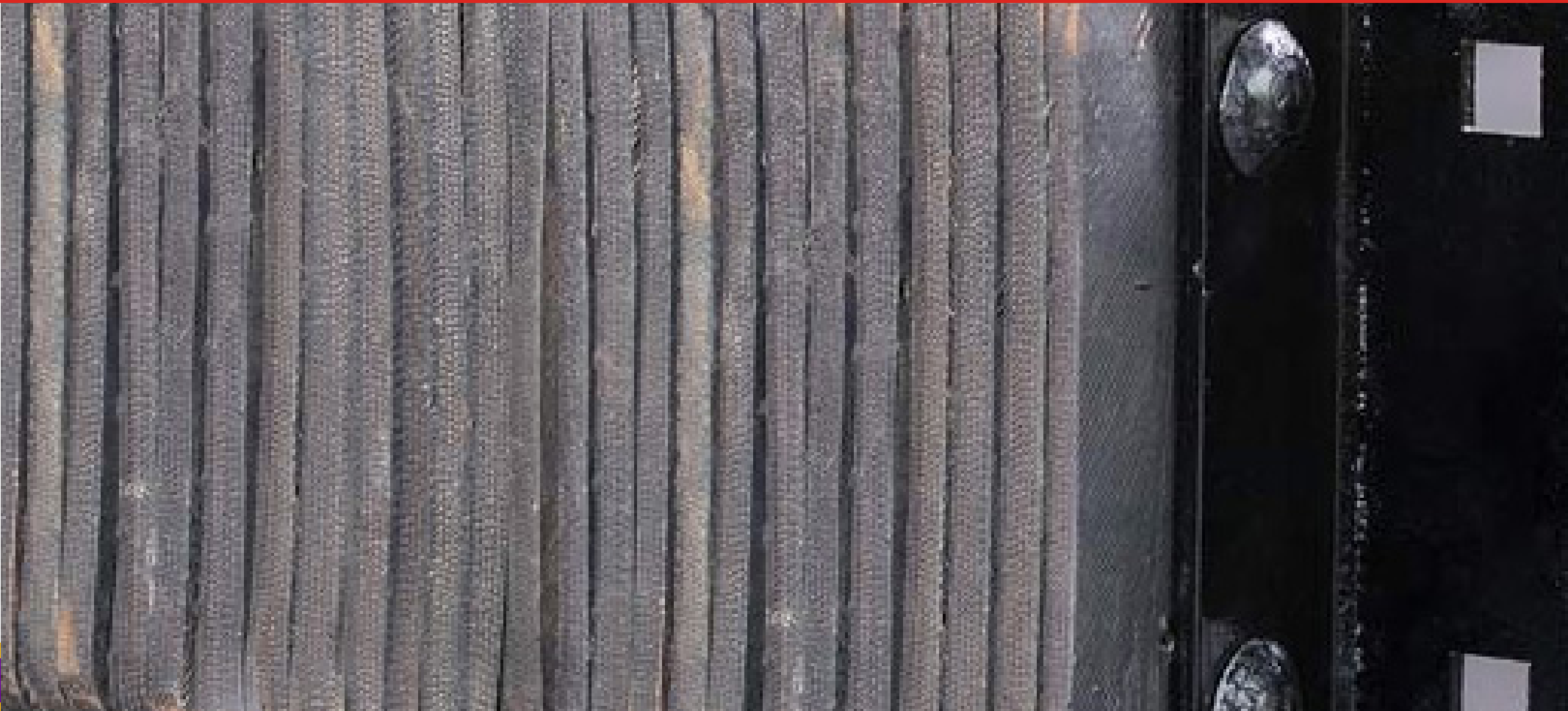


Koffler Sales Company

Specialists in Floor and Wall Protection
For Over 50 Years!

Standard Dock Bumpers

Model: B612-18P1



Model: B612-18P1

Length:

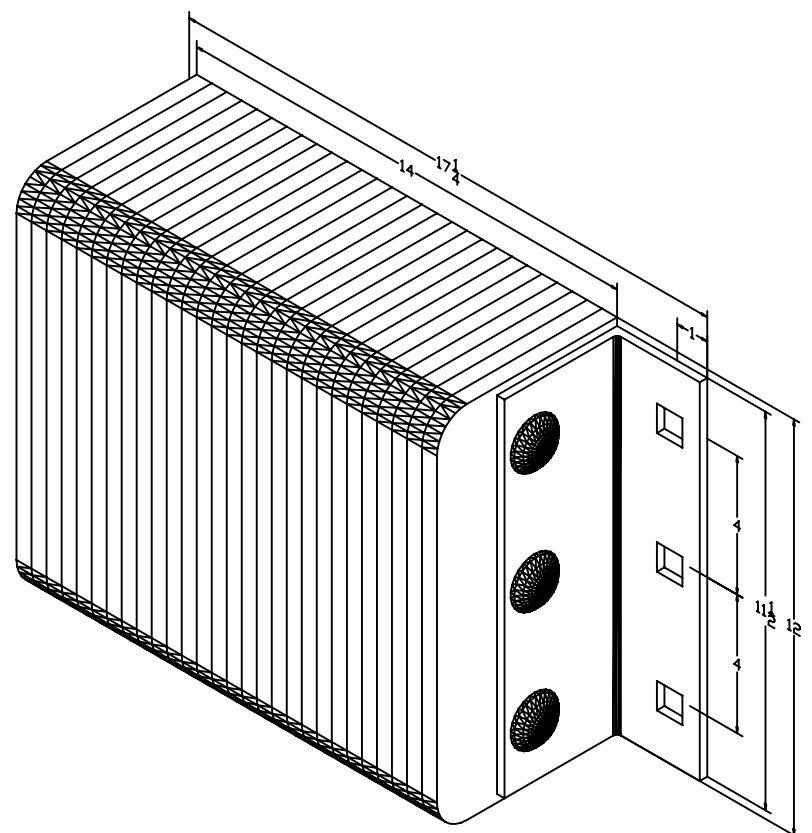
Projection	6"
Height	12"

Length:

-Overall	17-1/4"
-Rubber	14"
Angle Size	1/4"x3"x4"x9-1/2"
Plate Size	1/4"x3"x9-1/2"

Bolt Heads Are Inscribed
"DURABLE CORP"

All Measurements are +/- 1/8"





Koffler Sales Company

Specialists in Floor and Wall Protection
For Over 50 Years!

Standard Dock Bumpers

Model: B612-24



Model: B612-24

Length:

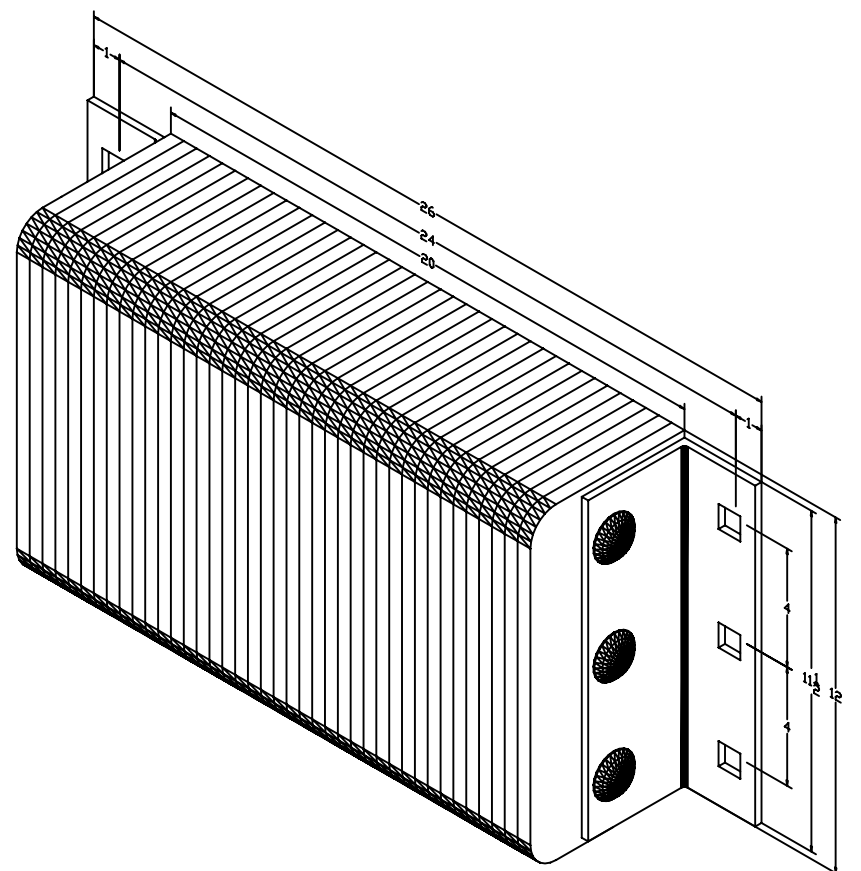
Projection 6"
Height 12"

Length:

-Overall 26"
-Anchor Holes 24"
-Rubber 20"
Angle Size (2) 1/4"x3"x4"x9-1/2"

Bolt Heads Are Inscribed
"DURABLE CORP"

All Measurements are +/- 1/8"



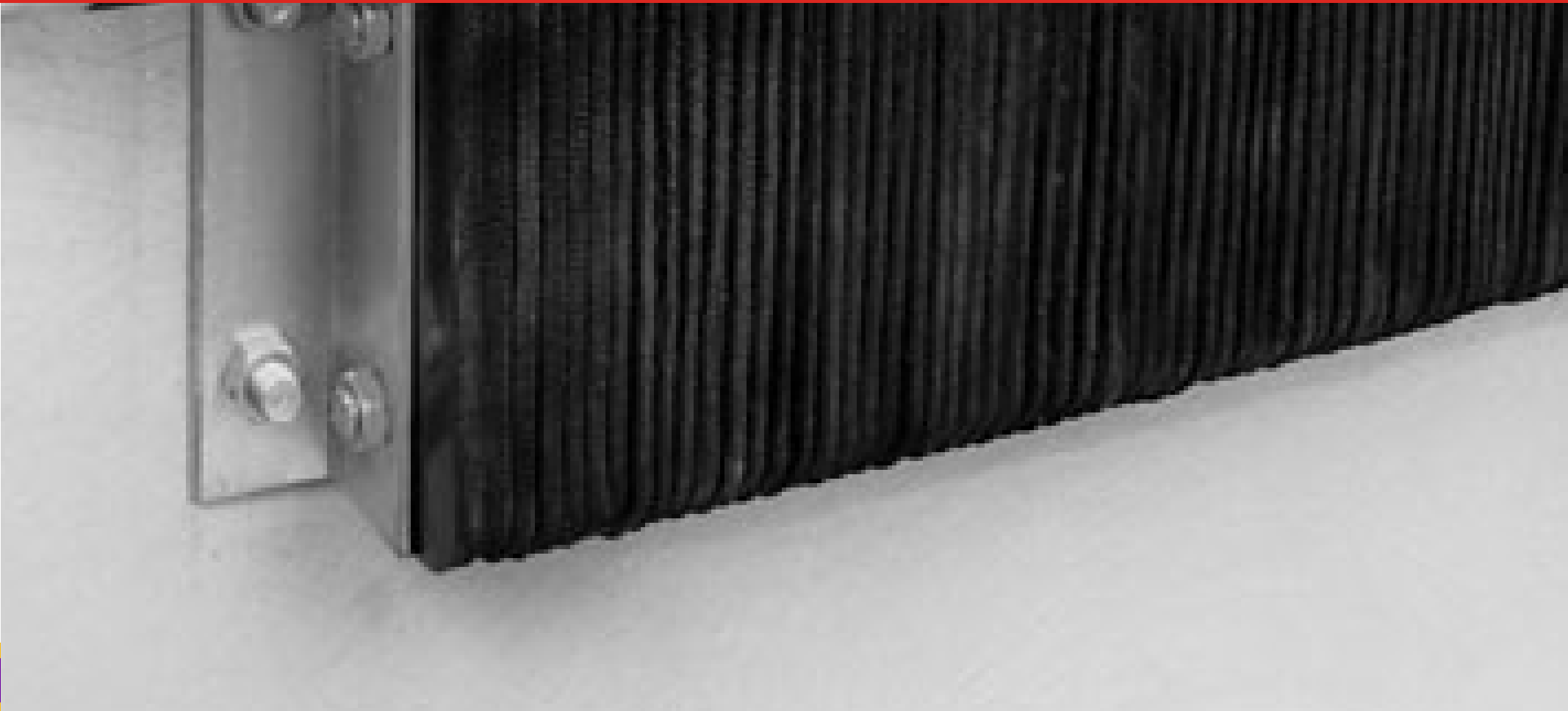


Koffler Sales Company

Specialists in Floor and Wall Protection
For Over 50 Years!

Standard Dock Bumpers

Model: B612-24P1



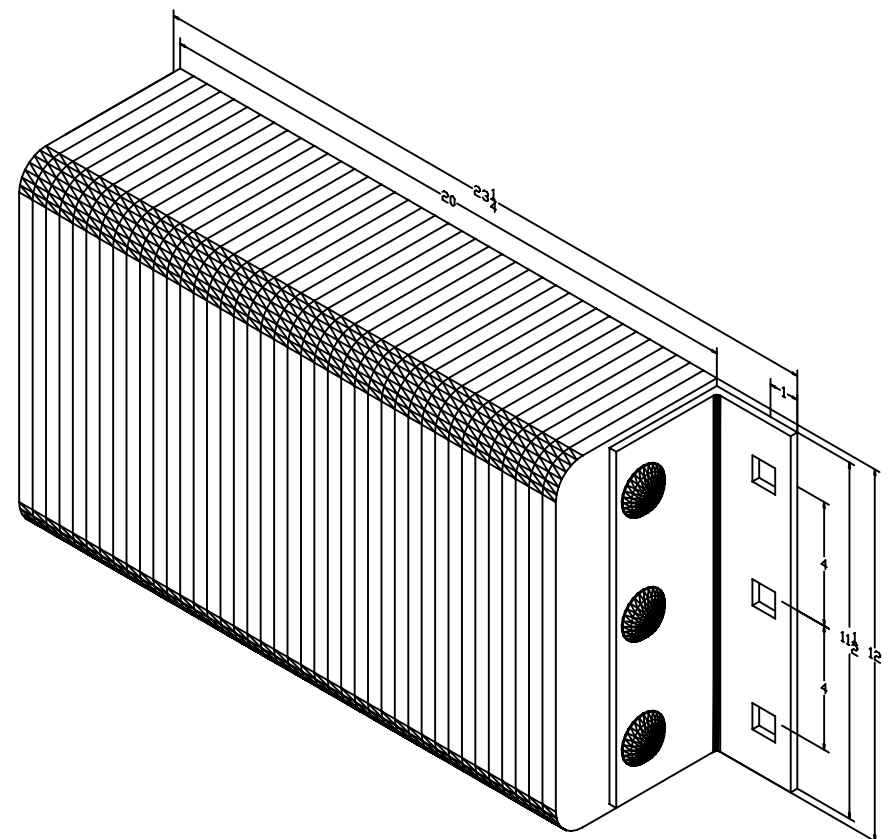
Model: B612-24P1

Length:

Projection 6"
Height 12"

Length:

-Overall 23-1/4"
-Rubber 20"
Angle Size 1/4"x3"x4"x9-1/2"
Plate Size 1/4"x3"x9-1/2"



Bolt Heads Are Inscribed
"DURABLE CORP"

All Measurements are +/- 1/8"



Koffler Sales Company

Specialists in Floor and Wall Protection
For Over 50 Years!

Standard Dock Bumpers

Model: B612-36



Model: B612-36

Length:

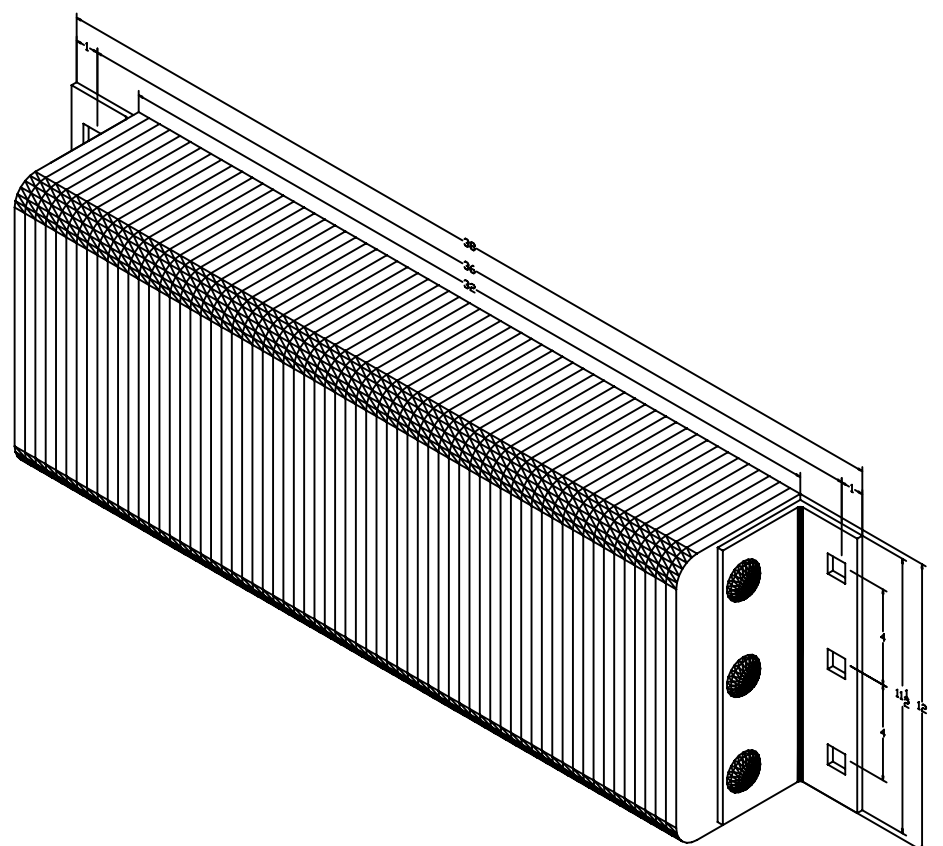
Projection	6"
Height	12"

Length:

-Overall	38"
-Anchor Holes	36"
-Rubber	32"
Plate Size (2)	1/4"x3"x4"x9-1/2"

Bolt Heads Are Inscribed
"DURABLE CORP"

All Measurements are +/- 1/8"



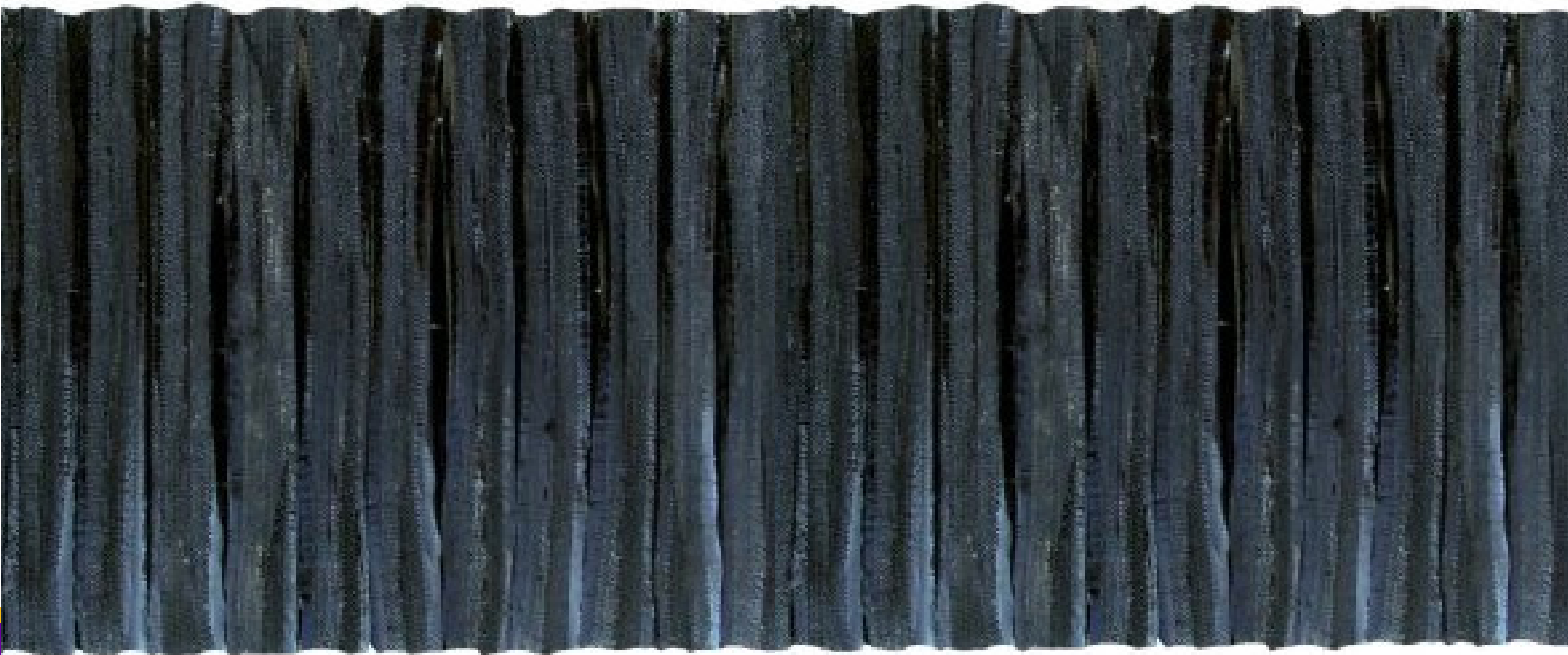


Koffler Sales Company

Specialists in Floor and Wall Protection
For Over 50 Years!

Standard Dock Bumpers

Model: B612-36-P1



Model: B612-36-P1

Length:

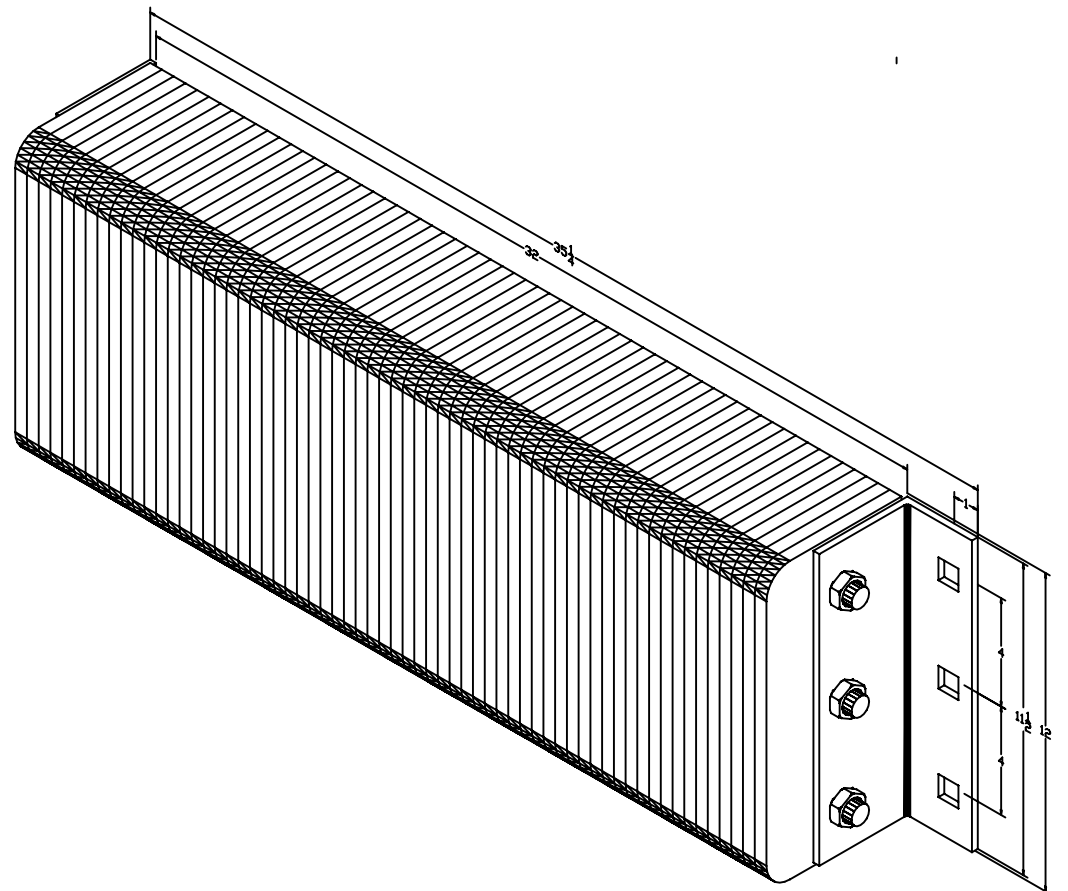
Projection	6"
Height	12"

Length:

-Overall	35-1/4"
-Anchor Holes	32"
Angle Size (1)	1/4"x3"x4"x11-1/2"
Plate Size (1)	1/4"x4"x11-1/2"

Bolt Heads Are Inscribed
"DURABLE CORP"

All Measurements are +/- 1/8"





Koffler Sales Company

Specialists in Floor and Wall Protection
For Over 50 Years!

Standard Dock Bumpers

Model: B620-11



Model: B620-11

Length:

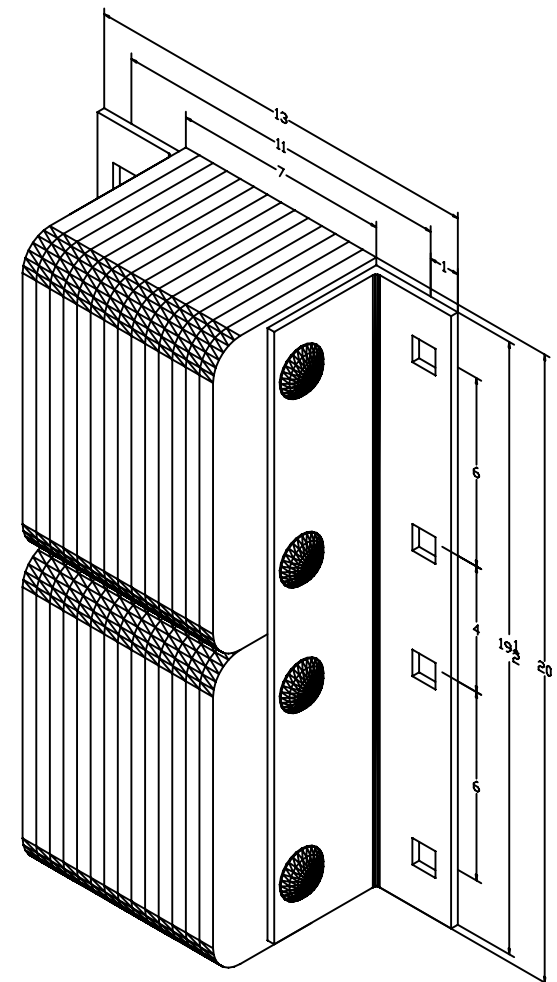
Projection 6"
Height 20"

Length:

-Overall 13"
-Anchor Holes 11"
-Rubber 7"
Angle Size (2) 1/4"x3"x4"x19-1/2"

Bolt Heads Are Inscribed
"DURABLE CORP"

All Measurements are +/- 1/8"





Koffler Sales Company

Specialists in Floor and Wall Protection
For Over 50 Years!

Standard Dock Bumpers

Model: B620-11-P1



Model: B620-11-P1

Length:

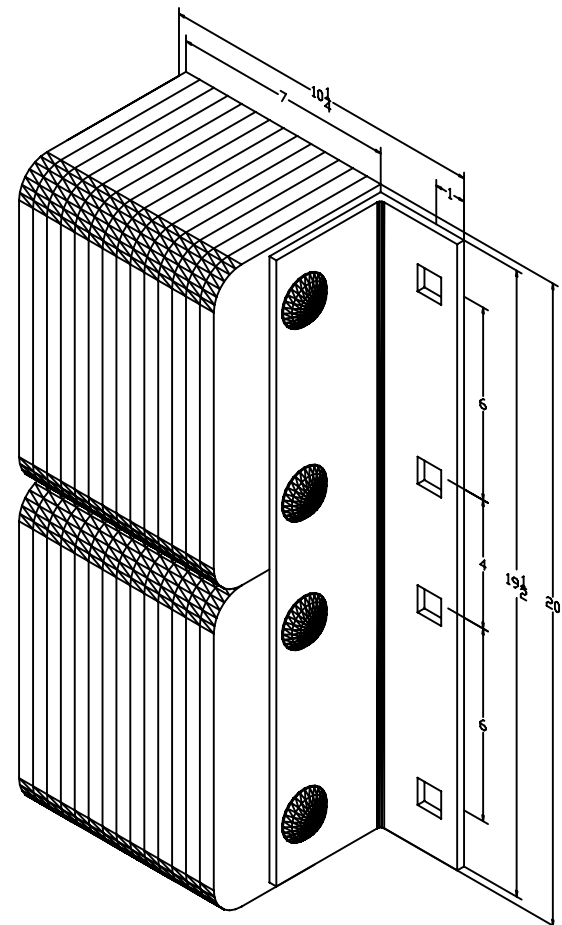
Projection 6"
Height 20"

Length:

-Overall 10-1/4"
-Anchor Holes 7"
Angle Size 1/4"xx3"x4"x19-1/2"
Plate Size 1/4"x4"x19-1/2"

Bolt Heads Are Inscribed
"DURABLE CORP"

All Measurements are +/- 1/8"





Koffler Sales Company

Specialists in Floor and Wall Protection
For Over 50 Years!

Standard Dock Bumpers

Model: B624-11



Model: B624-11

Length:

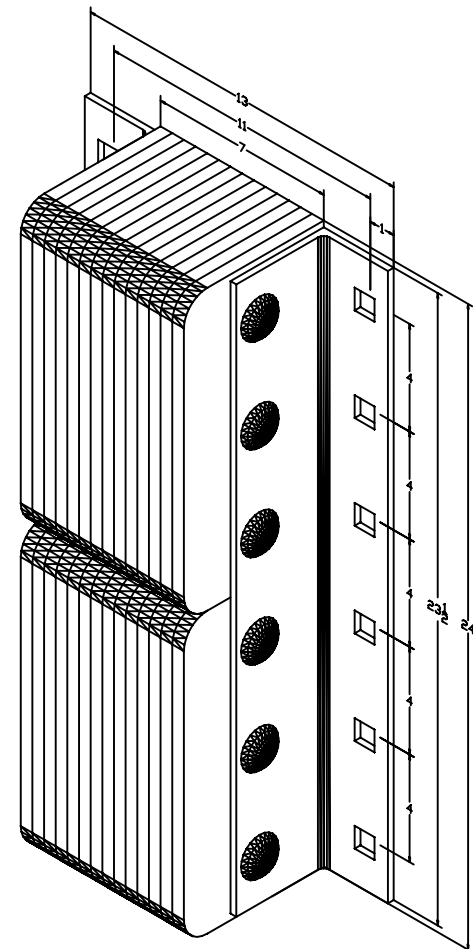
Projection 6"
Height 20"

Length:

-Overall 13"
-Anchor Holes 11"
-Rubber 7"
Angle Size (2) 1/4"x3"x4"x23-1/2"

Bolt Heads Are Inscribed
"DURABLE CORP"

All Measurements are +/- 1/8"





Koffler Sales Company

Specialists in Floor and Wall Protection
For Over 50 Years!

Standard Dock Bumpers

Model: B624-11-P1



Model: B624-11-P1

Length:

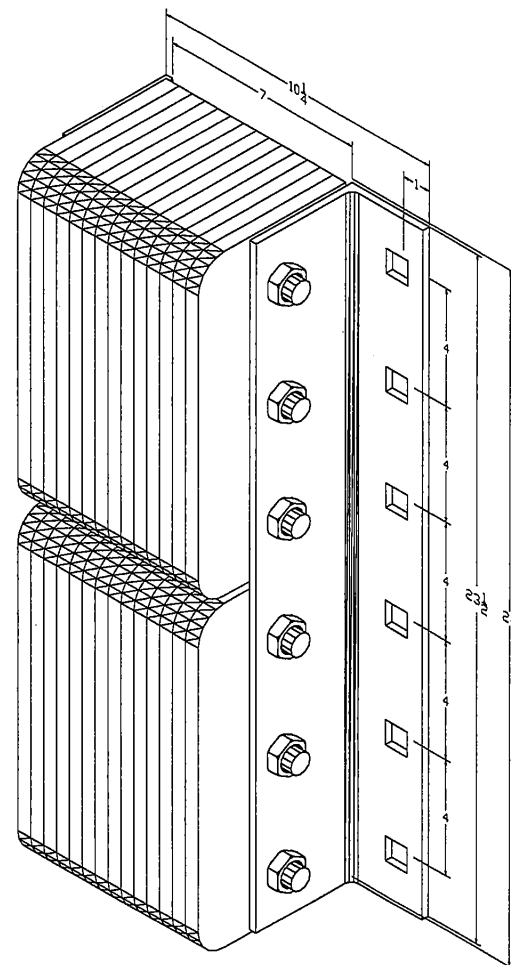
Projection 6"
Height 24"

Length:

-Overall 10-1/4"
-Anchor Holes 7"
Angle Size 1/4"xx3"x4"x23-1/2"
Plate Size 1/4"x4"x23-1/2"

Bolt Heads Are Inscribed
"DURABLE CORP"

All Measurements are +/- 1/8"





Koffler Sales Company

Specialists in Floor and Wall Protection
For Over 50 Years!

Standard Dock Bumpers
Model: B620-11-SFP1



Model: B620-11-SFP1

Length:

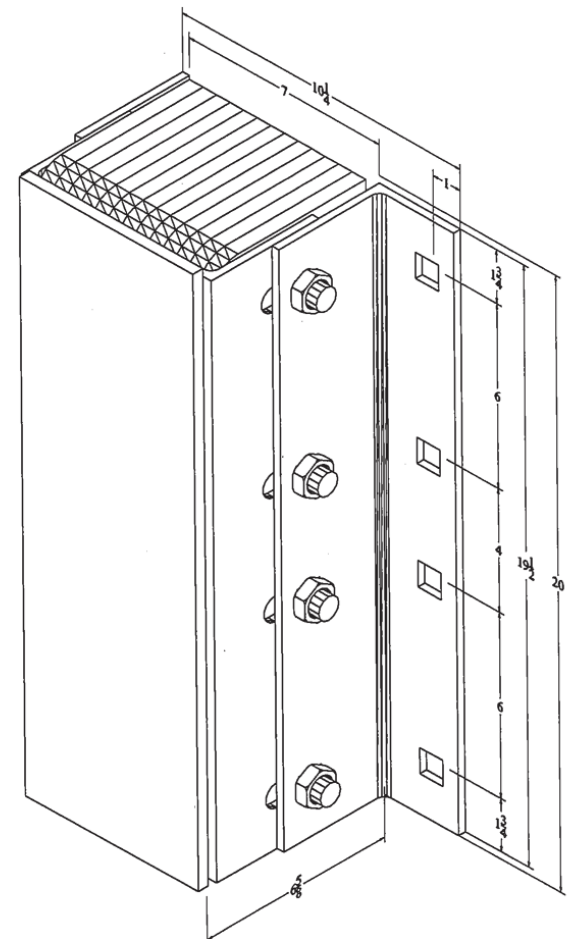
Projection 6-5/8"
Height 20"

Length:

-Overall 10-1/4"
-Rubber 7"
Angle Size 1/4"x3"x4"x19-1/2"
Slot Angle Size 1/4"x3"x4"x19-1/2"
Face Plate Size 3/8"x6-3/8"x20"

Bolt Heads Are Inscribed
"DURABLE CORP"

All Measurements are +/- 1/8"





Koffler Sales Company

Specialists in Floor and Wall Protection
For Over 50 Years!

Standard Dock Bumpers

Model: B624-11-SF



Model: B624-11-SF

Length:

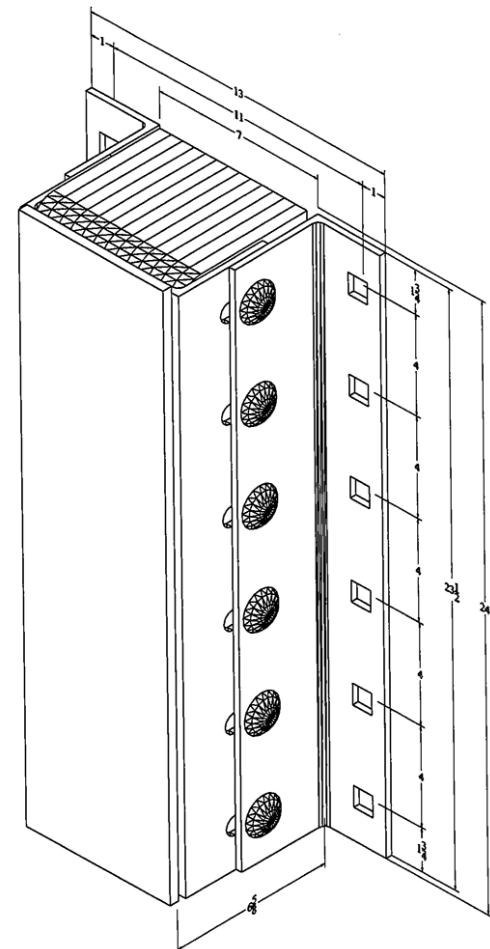
Projection 6-5/8"
Height 24"

Length:

-Overall 13"
-Anchor Holes 11"
-Rubber 7"
Angle Size 1/4"x3"x4"x23-1/2"
Slot Angle 1/4"x3"x4"x23-1/2"
Face Plate Size 3/8"x6-3/8"x24"

Bolt Heads Are Inscribed
"DURABLE CORP"

All Measurements are +/- 1/8"





Koffler Sales Company

Specialists in Floor and Wall Protection
For Over 50 Years!

Standard Dock Bumpers
Model: B620-11-SFP1



Model: B620-11-SFP1

Length:

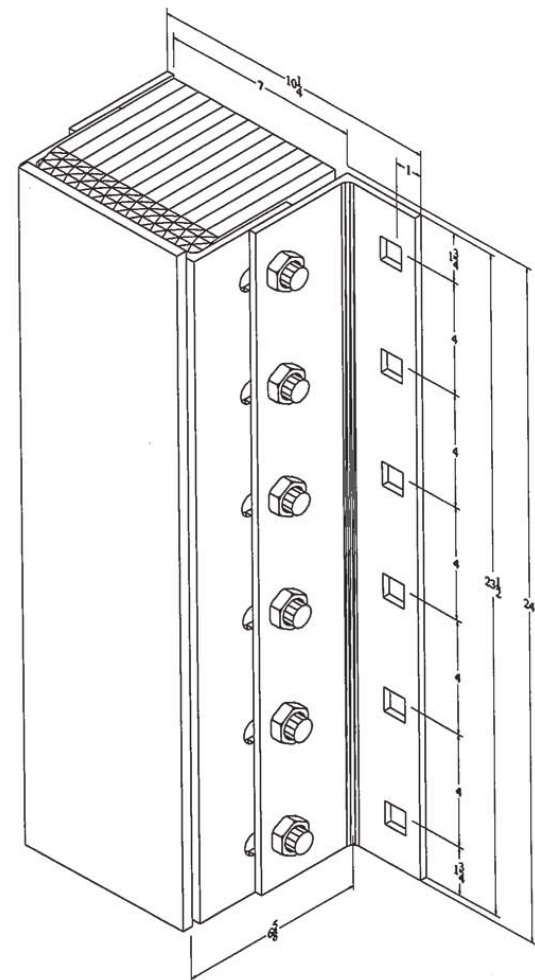
Projection 6-5/8"
Height 24"

Length:

-Overall 10-1/4"
-Rubber 7"
Angle Size 1/4"x3"x4"x23-1/2"
Slot Angle Size 1/4"x4"x23-1/2"
Face Plate Size 3/8"x6-3/8"x24"

Bolt Heads Are Inscribed
"DURABLE CORP"

All Measurements are +/- 1/8"





Koffler Sales Company

Specialists in Floor and Wall Protection
For Over 50 Years!

Standard Dock Bumpers

Model: B636-11-SF



Model: B636-11-SF

Length:

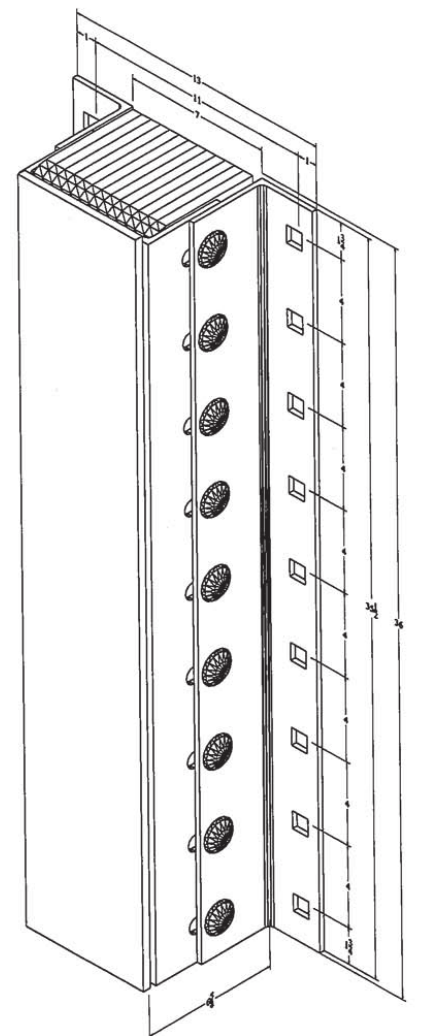
Projection 6-5/8"
Height 34"

Length:

-Overall 13"
-Anchor Holes 11"
-Rubber 7"
Angle Size 1/4"x3"x4"x35-1/2"
Slot Angle 1/4"x3"x4"x35-1/2"
Face Plate Size 3/8"x6-3/8"x36"

Bolt Heads Are Inscribed
"DURABLE CORP"

All Measurements are +/- 1/8"





Koffler Sales Company

Specialists in Floor and Wall Protection
For Over 50 Years!

Standard Dock Bumpers
Model: B636-11-SFP1



Model: B636-11-SFP1

Length:

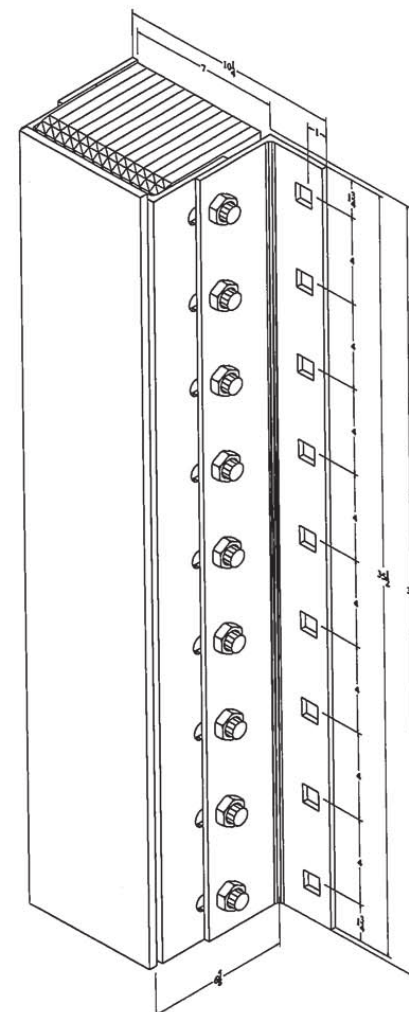
Projection 6-5/8"
Height 36"

Length:

-Overall 10-1/4"
-Rubber 7"
Plate Size 1/4"x3"x4"x35-1/2"
Angle Size 1/4"x4"x35-1/2"
Slot Angle Size 1/4"x3"x4"x35-1/2"
Face Plate Size 3/8"x6-3/8"x36"

Bolt Heads Are Inscribed
"DURABLE CORP"

All Measurements are +/- 1/8"





Koffler Sales Company

Specialists in Floor and Wall Protection
For Over 50 Years!

Standard Dock Bumpers

Model: B624-11-P1



Model: B624-11-P1

Length:

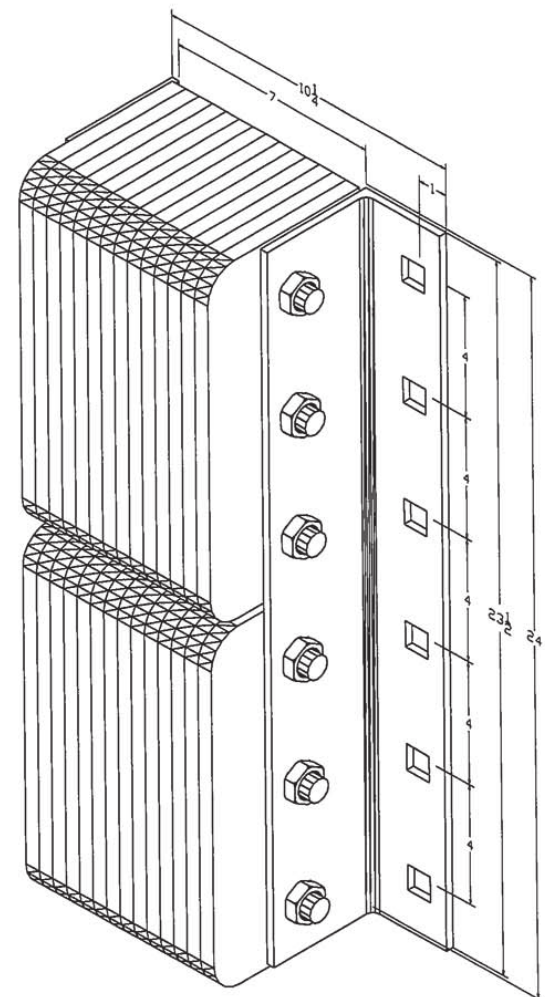
Projection 6"
Height 24"

Length:

-Overall 10-1/4"
-Rubber 7"
Angle Size 1/4"x3"x4"x23-1/2"
Plate Size 1/4"x4"x23-1/2"

Bolt Heads Are Inscribed
"DURABLE CORP"

All Measurements are +/- 1/8"





Koffler Sales Company

Specialists in Floor and Wall Protection
For Over 50 Years!

Standard Dock Bumpers

Model: B636-11



Model: B636-11

Length:

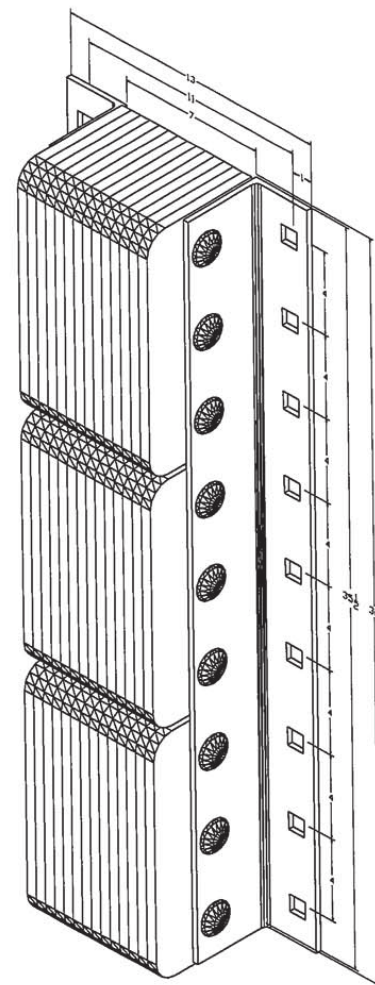
Projection	6"
Height	36"

Length:

-Overall	13"
-Anchor Holes	11"
-Rubber	7"
Angle Size	1/4"X3"x4"x35-1/2"

Bolt Heads Are Inscribed
"DURABLE CORP"

All Measurements are +/- 1/8"





Koffler Sales Company

Specialists in Floor and Wall Protection
For Over 50 Years!

Standard Dock Bumpers

Model: B636-11-P1



Model: B636-11-P1

Length:

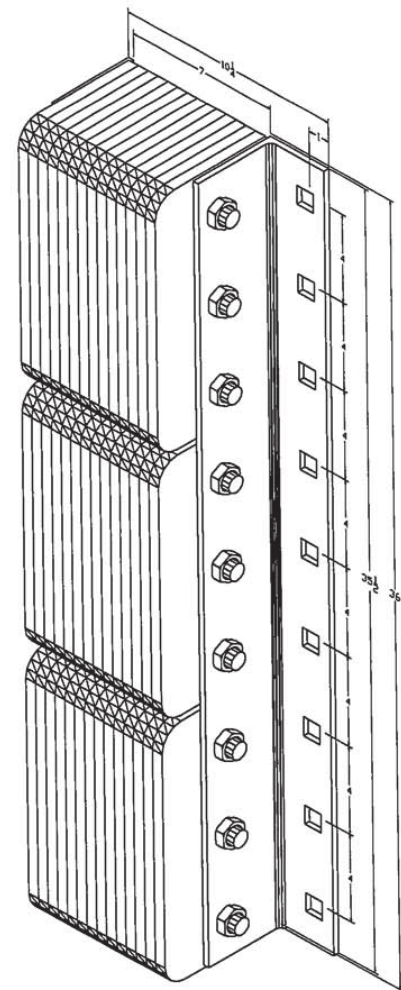
Projection 6"
Height 36"

Length:

-Overall 10-1/4"
-Rubber 7"
Angle Size 1/4"x3"x4"x35-1/2"
Plate Size 1/4"x4"x35-1/2"

Bolt Heads Are Inscribed
"DURABLE CORP"

All Measurements are +/- 1/8"





Koffler Sales Company

Specialists in Floor and Wall Protection
For Over 50 Years!

Standard Dock Bumpers
Model: B636-11



Model: B636-11

Length:

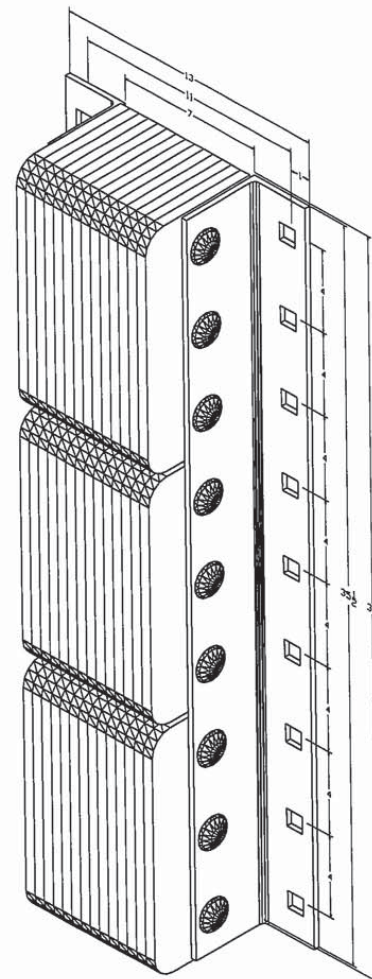
Projection	6"
Height	36"

Length:

-Overall	13"
-Rubber	11"
Plate Size	7"
Angle Size	1/4"x3"x4"x35-1/2"

Bolt Heads Are Inscribed
"DURABLE CORP"

All Measurements are +/- 1/8"



Attention!

Images might differ from the actual product.
For accurate information please consult the
blueprints.

Thank you