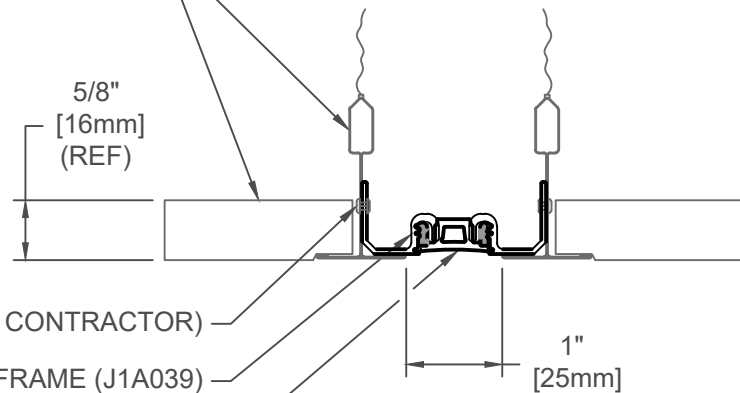


ACOUSTICAL CEILING PANEL  
AND TEE (BY OTHERS)



POP RIVET (BY CONTRACTOR)

CONT. ALUM. FRAME (J1A039)

CONT. SANTOPRENE SEAL

SPECIFY SEAL COLOR:	
Black (J1D101)	
Beige (J1D102)	
Gray (J1D103)	
Off White (J1D104)	
Bright White (J1D105)	
Greige (J1D106)	

## 116-A24-025

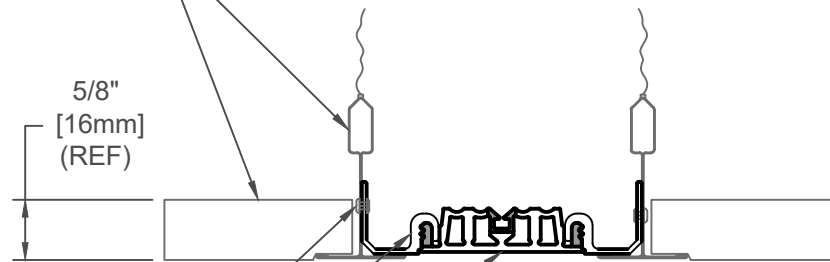
JOINT WIDTH		MOVEMENT ±			
		HORIZONTAL		VERTICAL	
US	mm	US	mm	US	mm
1"	25	1/4"	6	1/4"	6

FINISH: N/A
PROJECT:
CUSTOMER:
LOCATION:

APPLICATION-  
FLAT SEAL SYSTEM  
SEISMIC CEILING TO CEILING CONDITION

DATE:	2-27-20
SCALE:	1:2
DOC:	CADJM.228R3

ACOUSTICAL CEILING PANEL  
AND TEE (BY OTHERS)



POP RIVET (BY CONTRACTOR)

CONT. ALUM. FRAME (J1A039)

CONT. SANTOPRENE SEAL

2"  
[51mm]

5/8"  
[16mm]  
(REF)

SPECIFY SEAL COLOR:	
Black (J1D201)	
Beige (J1D202)	
Gray (J1D203)	
Off White (J1D204)	
Bright White (J1D205)	
Greige (J1D206)	

116-A24-050

JOINT WIDTH		MOVEMENT ±			
		HORIZONTAL		VERTICAL	
US	mm	US	mm	US	mm
2"	51	1/2"	13	1/2"	13

FINISH: N/A
PROJECT:
CUSTOMER:
LOCATION:

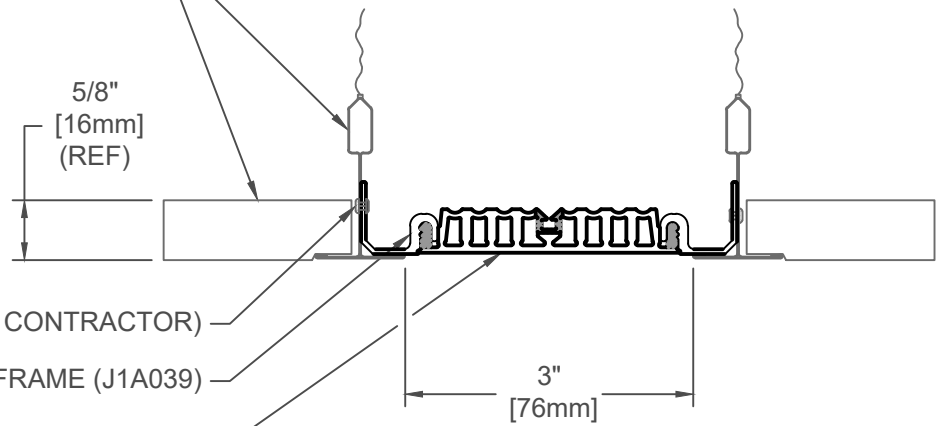
APPLICATION-  
FLAT SEAL SYSTEM  
SEISMIC CEILING TO CEILING CONDITION

DATE:	2-27-20
SCALE:	1:2
DOC:	CADJM.228R3

**inpro.**

For More Information Visit: [Inprocorp.com](http://Inprocorp.com)

ACOUSTICAL CEILING PANEL  
AND TEE (BY OTHERS)



POP RIVET (BY CONTRACTOR)

CONT. ALUM. FRAME (J1A039)

CONT. SANTOPRENE SEAL

SPECIFY SEAL COLOR:	
Black (J1D301)	
Beige (J1D302)	
Gray (J1D303)	
Off White (J1D304)	
Bright White (J1D305)	
Greige (J1D306)	

116-A24-075

JOINT WIDTH		MOVEMENT ±			
		HORIZONTAL		VERTICAL	
US	mm	US	mm	US	mm
3"	76	3/4"	19	3/4"	19

FINISH: N/A
PROJECT:
CUSTOMER:
LOCATION:

APPLICATION-  
FLAT SEAL SYSTEM  
SEISMIC CEILING TO CEILING CONDITION

DATE:	2-27-20
SCALE:	1:2
DOC:	CADJM.228R3