

SPECIFY SEAL COLOR:	
Black (J1D101)	
Beige (J1D102)	
Gray (J1D103)	
Off White (J1D104)	
Bright White (J1D105)	
Greige (J1D106)	

116-A18-025

JOINT WIDTH		MOVEMENT ±			
		HORIZONTAL		VERTICAL	
US	mm	US	mm	US	mm
1"	25	1/4"	6	1/4"	6

FINISH: N/A
PROJECT:
CUSTOMER:
LOCATION:

APPLICATION-
FLAT SEAL SYSTEM
SEISMIC WALL TO CEILING CONDITION

DATE:	2-27-20
SCALE:	1:2
DOC:	CADJM.227R2

inpro.

For More Information Visit: Inprocorp.com

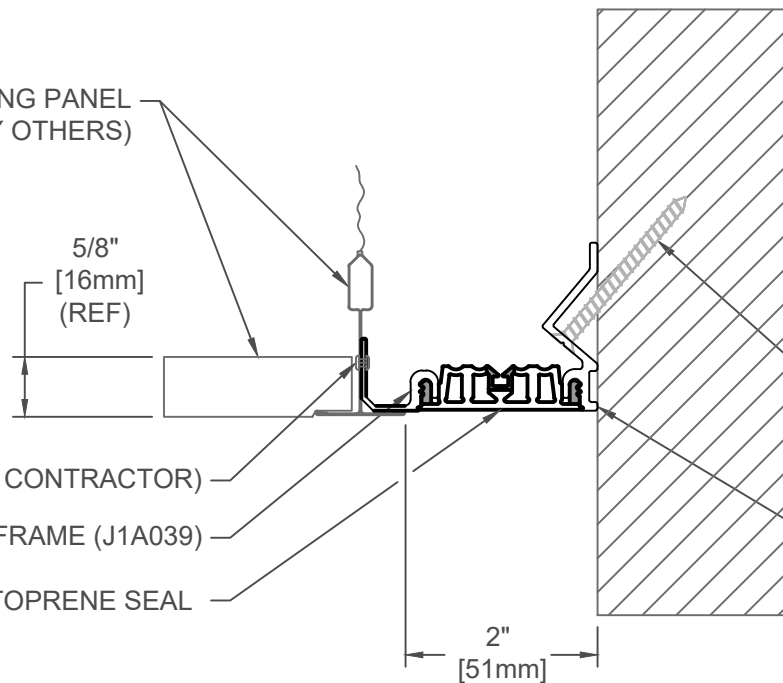
ACOUSTICAL CEILING PANEL
AND TEE (BY OTHERS)

5/8"
[16mm]
(REF)

POP RIVET (BY CONTRACTOR)

CONT. ALUM. FRAME (J1A039)

CONT. SANTOPRENE SEAL



#8 X 2" [M4 x 50] SELF-TAPPING
SHEET METAL SCREW (7 PER FRAME
@ 18" [457mm] O.C.) (JK061)

CONT. ALUM. RECESSED FRAME (J1A038)

2"
[51mm]

SPECIFY SEAL COLOR:

Black (J1D201)	
Beige (J1D202)	
Gray (J1D203)	
Off White (J1D204)	
Bright White (J1D205)	
Greige (J1D206)	

116-A18-050

JOINT WIDTH		MOVEMENT ±			
		HORIZONTAL		VERTICAL	
US	mm	US	mm	US	mm
2"	51	1/2"	13	1/2"	13

APPLICATION-
FLAT SEAL SYSTEM
SEISMIC WALL TO CEILING CONDITION

FINISH: N/A
PROJECT:
CUSTOMER:
LOCATION:

DATE:	2-27-20
SCALE:	1:2
DOC:	CADJM.227R2

inpro.

For More Information Visit: Inprocorp.com

ACOUSTICAL CEILING PANEL
AND TEE (BY OTHERS)

5/8"
[16mm]
(REF)

POP RIVET (BY CONTRACTOR)

CONT. ALUM. FRAME (J1A039)

CONT. SANTOPRENE SEAL

#8 X 2" [M4 x 50] SELF-TAPPING
SHEET METAL SCREW (7 PER FRAME
@ 18" [457mm] O.C.) (JK061)

CONT. ALUM. RECESSED FRAME (J1A033)

3"
[76mm]

SPECIFY SEAL COLOR:	
Black (J1D301)	
Beige (J1D302)	
Gray (J1D303)	
Off White (J1D304)	
Bright White (J1D305)	
Greige (J1D306)	

116-A18-075

JOINT WIDTH		MOVEMENT ±			
		HORIZONTAL		VERTICAL	
US	mm	US	mm	US	mm
3"	76	3/4"	19	3/4"	19

FINISH: N/A
PROJECT:
CUSTOMER:
LOCATION:

APPLICATION-
FLAT SEAL SYSTEM
SEISMIC WALL TO CEILING CONDITION

DATE:	2-27-20
SCALE:	1:2
DOC:	CADJM.227R2

inpro.

For More Information Visit: Inprocorp.com